

MILLE LACS BAND OF OJIBWE
PRE-BID ADDENDUM #1 for 46145 Grace Lake Rd Septic System
Replacement

July 17, 2023

NOTE TO BIDDERS: This addendum shall take precedence over and become a part of the original request for proposal, plans and specifications.
All bidders must acknowledge receipt on the bid form.

1. Replace the Environmental Systems design dated 7/5/23 that was sent out with the rfp dated 7/14/23 with the attached design, which includes corrected address on the cover page and updated construction notes.

End of Addendum #1 – July 17, 2023

ENVIRONMENTAL SYSTEMS LLC.

***2358 HWY# 23
MORA MN. 55051
Ph. 320-241-7036***

DESIGN

LOCATION: 46145 GRACE LAKE RD. SANDSTONE MN

OWNER: MILLE LACS BAND OF OJIBWE

SYSTEM TYPE: TYPE III MOUND

DESIGN FLOW: 4 BEDROOM DESIGNED @ 600 GPD

TREATMENT AREA: 500 SQ.FT.

SLOPE: 7 %


SEPTIC TANK: 2250 GAL. SPLIT/COMBO

PUMP TANK: BROWN -WILBERT 1000 GAL.

PUMP: GOULDS WE 511H

**FLOW METER: SJE RHOMBUS
MODEL# EZP11W6COH1JV8G10EP17A22C**

KEVIN HERWIG M.P.C.A. 3945

 7/5/2023

CONSTRUCTION NOTES

**** EXISTING SWALE WILL NEED TO BE
GRADED TO PROTECT THE MOUND**

PRODUCT BRAND & MODEL LISTED IN DESIGN MUST BE USED. BROWN-WILBERT TANKS – SEPTIC 2250 GAL. COMBO WITH POLYLOK PL-122 FILTER AND ALARM, PUMP TANK 1000 GAL. BROWN-WIFLBERT PUMP – GOULDS WE511H ** PUMP CHAMBER AND PUMP SETTINGS WILL NOT BE CORRECT IF OTHER PRODUCTS ARE USED. 2-WAY CLEANOUTS ARE TO BE INSTALLED 1 FOOT OUTSIDE THE HOME

SJE RHOMBUS EZPIIW6COHIJV8GI0EP17A22C CONTROL

IT IS THE DESIGNER'S DISCRETION TO APPROVE OR DISAPPROVE SUBSTITUTIONS. THE INSTALLER WILL BE RESPONSIBLE FOR DESIGN CHANGE FEE.

ALL PRODUCTS AND CONSTRUCTION PRACTICES ARE TO MEET M.P.C.A. 7080 RULE AND MILLE LACS BAND SPECIFICATION FOR SEWAGE TREATMENT SYSTEMS

KEVIN HERWIG LIC # 3945

A handwritten signature in black ink, appearing to read "Kevin Herwig", is written over the printed name and license number.



Preliminary Evaluation Worksheet

1. Contact Information

v 03.15.2023

Property Owner/Client: Date Completed:

Site Address: Project ID:

Email: Phone:

Mailing Address: Alt Phone:

Legal Description:

Parcel ID: SEC: TWP: RNG:

2. Flow and General System Information

A. Client-Provided Information

Project Type: New Construction Replacement Expansion Repair

Project Use: Residential Other Establishment:

Residential use: # Bedrooms: Dwelling sq.ft.: Unfinished sq.ft.:

Adults: # Children: # Teenagers:

In-home business (Y/N): If yes, describe:

- Water-using devices: (check all that apply)
- Garbage Disposal/Grinder
 - Dishwasher
 - Hot Tub*
 - Sewage pump in basement
 - Water Softener*
 - Sump Pump*
 - Large Bathtub >40 gallons
 - Iron Filter*
 - Self-Cleaning Humidifier*
 - Clothes Washing Machine
 - High Eff. Furnace*
 - Other:

* Clear water source - should not go into system

Additional current or future uses:

Anticipated non-domestic waste:

The above is complete & accurate:

Client signature & date

B. Designer-determined Flow and Anticipated Waste Strength Information

Attach additional information as necessary.

Design Flow: GPD Anticipated Waste Type:

Maximum Concentration BOD: mg/L TSS mg/L Oil & Grease mg/L

3. Preliminary Site Information

A. Water Supply Wells

#	Description	Mn. ID#	Well Depth (ft.)	Casing Depth (ft.)	Confining Layer	STA Setback	Source
1							
2							
3							
4							

Additional Well Information:



Preliminary Evaluation Worksheet



Site within 200' of noncommunity transient well (Y/N) Yes, source:

Site within a drinking water supply management area (Y/N) Yes, source:

Site in Well Head Protection inner wellhead management zone (Y/N) Yes, source:

Buried water supply pipes within 50 ft of proposed system (Y/N) 265' TO

B. Site located in a shoreland district/area? Yes, name:

Elevation of ordinary high water level: ft Source:

Classification: Tank Setback: ft. STA Setback: ft.

C. Site located in a floodplain? Yes, Type(s):

Floodplain designation/elevation (10 Year): ft Source:

Floodplain designation/elevation (100 Year): ft Source:

D. Property Line Id / Source: Owner Survey County GIS Plat Map Other:

E. ID distance of relevant setbacks on map: Water Easements Well(s)
 Building(s) Property Lines OHWL Other:

4. Preliminary Soil Profile Information From Web Soil Survey (attach map & description)

Map Units: Slope Range: %

List landforms:

Landform position(s):

Parent materials:

Depth to Bedrock/Restrictive Feature: in Depth to Watertable: in

Map Unit Ratings

Septic Tank Absorption Field- At-grade:

Septic Tank Absorption Field- Mound:

Septic Tank Absorption Field- Trench:

5. Local Government Unit Information

Name of LGU:

LGU Contact:

LGU-specific setbacks:

LGU-specific design requirements:

LGU-specific installation requirements:

Notes:



Field Evaluation Worksheet

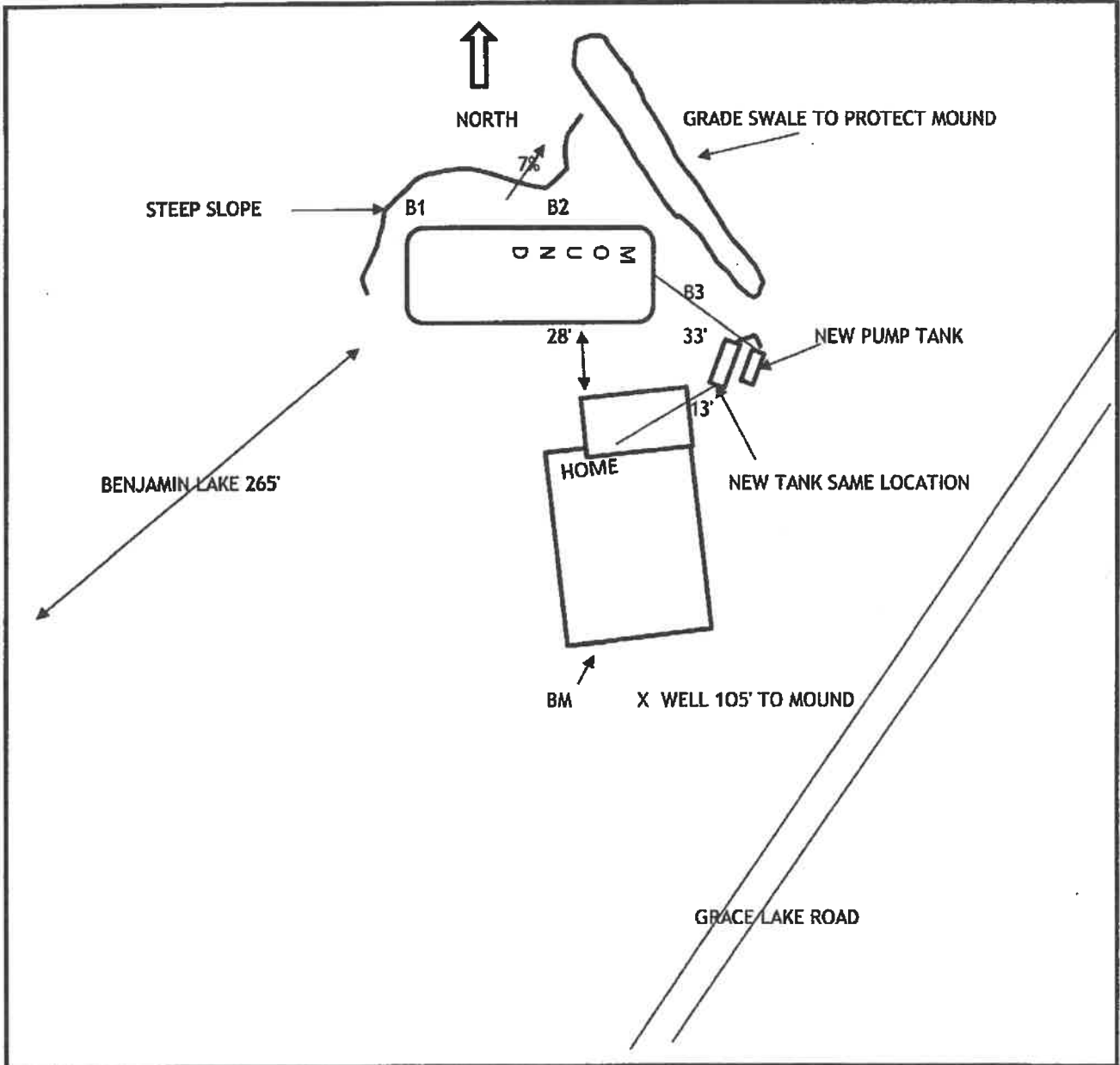


1. Project Information		v 03.15.2023	
Property Owner/Client:	MILLE LACS BAND OF OJIBWE	Project ID: <input type="text"/>	
Site Address:	46145 GRACE LAKE RD SANDSTONE MN.	Date Completed: 7/5/2023	
2. Utility and Structure Information			
Utility Locations Identified	<input type="checkbox"/> Gopher State One Call # <input type="text"/>	<input type="checkbox"/> Any Private Utilities: <input type="text"/>	
Locate and Verify (see Site Evaluation map)	<input checked="" type="checkbox"/> Existing Buildings	<input type="checkbox"/> Improvements <input type="checkbox"/> Easements <input type="checkbox"/> Setbacks	
3. Site Information			
Vegetation type(s):	Lawn	Landscape position: <input type="text"/>	
Percent slope:	7 %	Slope shape: <input type="text"/> Slope direction: northwest	
Describe the flooding or run-on potential of site:	NORTH END BY DRAINAGE		
Describe the need for Type III or Type IV system:	FILL SOIL		
Note:	<input type="text"/>		
Proposed soil treatment area protected? (Y/N):	Yes	If yes, describe: STAKED	
4. General Soils Information			
Filled, Compacted, Disturbed areas (Y/N):	Yes		
If yes, describe:	FILL SOIL Varies in depth from 12 TO 30 inches		
Soil observations were conducted in the proposed system location (Y/N):	Yes		
A soil observation in the most limiting area of the proposed system (Y/N):	Yes		
Number of soil observations:	3	Soil observation logs attached (Y/N): Yes	
Percolation tests performed & attached (Y/N):	No		
5. Phase I. Reporting Information			
	Depth	Elevation	
Limiting Condition*:	0 in	98.5 ft	*Most Restrictive Depth Identified from List Below
Periodically saturated soil:	<input type="text"/> in	<input type="text"/> ft	Soil Texture: Medium Loamy Sand
Standing water:	<input type="text"/> in	<input type="text"/> ft	Percolation Rate: <input type="text"/> min/inch
Bedrock:	<input type="text"/> in	<input type="text"/> ft	Soil Hyd Loading Rate: 0.68 gpd/sq.ft
Benchmark Elevation:	100.0 ft	Elevations and Benchmark on map? (Y/N): <input type="text"/>	
Benchmark Elevation Location:	BOTTOM OF SIDING		
Differences between soil survey and field evaluation:	NA		
Site evaluation issues / comments:	VERY LIMITED USABLE SPACE		
Anticipated construction issues:	<input type="text"/>		

Project ID:

v 03.15.2023

Property Owner/Client: MILLE LACS BAND OF OJIBWE



Map scale:

Indicated north

Show slope/contours

Elevations in feet

Benchmark: ft

System Corners:

NW:	<input type="text" value="98.22"/>	ft
NE:	<input type="text" value="97.3"/>	ft
SW:	<input type="text" value="98.5"/>	ft
SE:	<input type="text" value="97.95"/>	ft

Soil Observation:

#1:	<input type="text" value="97.9"/>	ft
#2:	<input type="text" value="96.4"/>	ft
#3:	<input type="text" value="97.6"/>	ft
#4:	<input type="text"/>	ft

TanK Inlet ft

Other:

Pump Tank Inlet ft

Date Completed:



Soil Observation Log

Project ID: **v 03.15.2023**

Client: **MILLE LACS BAND OF OJIBWE** Location / Address: **46145 GRACE LAKE RD SANDSTONE MN.**

Soil parent material(s): (Check all that apply) Outwash Loess Till Alluvium Bedrock Organic Matter Disturbed/Fill

Landscape Position: **Shoulder** Slope %: **7.0** Slope shape: **Linear, Linear** Flooding/Run-On potential: **97.9**

Vegetation: **Lawn** Soil survey map units: **NA** Surface Elevation-Relative to benchmark: **97.9**

Date/Time of Day/Weather Conditions: **7/5/2023 9:30 AM** PC DRY Limiting Layer Elevation: **97.9**

Depth (in)	Texture	Rock Frag. %	Matrix Color(s)	Mottle Color(s)	Redox Kind(s)	Indicator(s)	Structure		Consistence
							Shape	Grade	
0-4	Fill Soil	2	10YR 3/2				Blocky	Weak	Friable
4-12	Fill Soil	2	7.5YR 4/4				Platy	Weak	Friable
12-16	Loamy Fine Sand	2	10YR 3/2				Granular	Weak	Friable
16-38	Loamy Fine Sand	2	7.5YR 4/4				Platy	Weak	Friable
38-48	Loamy Fine Sand	2	7.5YR 4/6	2.5YR 5/6	Concentrations	52	Platy	Weak	Friable

Comments: **FILL SOIL IS LOAMY SAND**

I hereby certify that I have completed this work in accordance with all applicable ordinances, rules and laws.

KEVIN HERWIG (Designer/Inspector) **3945** (License #) **7/5/2023** (Date)

Optional Verification: I hereby certify that this soil observation was verified according to Minn. R. 7082.0500 subp. 3 A. The signature below represents an infield verification of the periodically saturated soil or bedrock at the proposed soil treatment and dispersal site.

(Signature)

(Cert #)

(Date)



Soil Observation Log

Project ID: V 03.15.2023

Client: MILLE LACS BAND OF OJIBWE **Location / Address:** 46145 GRACE LAKE RD SANDSTONE MN.

Soil parent material(s): (Check all that apply) Outwash Lacustrine Loess Till Alluvium Bedrock Organic Matter Disturbed/Fill

Landscape Position: Shoulder **Slope %:** 7.0 **Slope shape:** Linear, Linear **Flooding/Run-On potential:** 96.4

Vegetation: Lawn **Soil survey map units:** NA **Surface Elevation-Relative to benchmark:** 96.4

Date/Time of Day/Weather Conditions: 7/5/2023 9:30 AM **PC DRY** **Limiting Layer Elevation:** 96.4

Observation #/Location: 2 NW **Observation Type:** Pit

Depth (in)	Texture	Rock Frag. %	Matrix Color(s)	Mottle Color(s)	Redox Kind(s)	Indicator(s)	Structure		Consistence
							Shape	Grade	
0-4	Fill Soil	2	10YR 3/2				Blocky	Weak	Friable
4-24	Fill Soil	2	7.5YR 4/4				Platy	Weak	Friable
24-29	Loamy Fine Sand	2	10YR 3/2				Granular	Weak	Friable
29-42	Loamy Fine Sand	2	7.5YR 4/4				Platy	Weak	Friable
42-52	Loamy Fine Sand	2	7.5YR 4/6	2.5YR 5/6	Concentrations	52	Platy	Weak	Friable

Comments: FILL SOIL IS LOAMY SAND

I hereby certify that I have completed this work in accordance with all applicable ordinances, rules and laws.

KEVIN HERWIG *[Signature]* **3945** **7/5/2023**
 (Designer/Inspector) (License #) (Date)

Optional Verification: I hereby certify that this soil observation was verified according to Minn. R. 7082.0500 subp. 3 A. The signature below represents an infield verification of the periodically saturated soil or bedrock at the proposed soil treatment and dispersal site.

(LGU/Designer/Inspector) **(Signature)** **(Cert #)** **(Date)**



Soil Observation Log

Project ID:

V 03.15.2023

Client: MILLE LACS BAND OF OJIBWE Location / Address: 46145 GRACE LAKE RD SANDSTONE MN.

Soil parent material(s): (Check all that apply) Outwash Lacustrine Loess Till Alluvium Bedrock Organic Matter Disturbed/Fill

Landscape Position: Shoulder Slope %: 7.0 Slope shape: Linear, Linear Flooding/Run-On potential: 97.6

Vegetation: Lawn Soil survey map units: 9:30 AM NA Surface Elevation-Relative to benchmark: 97.6

Date/Time of Day/Weather Conditions: 7/5/2023 9:30 AM PC DRY Limiting Layer Elevation: 97.6

Observation #/Location: 3 NC Observation Type: Pit

Depth (in)	Texture	Rock Frag. %	Matrix Color(s)	Mottle Color(s)	Redox Kind(s)	Indicator(s)	Structure		Consistence
							Shape	Grade	
0-4	Fill Soil	2	10YR 3/2				Blocky	Weak	Friable
4-28	Fill Soil	2	10YR 4/3				Platy	Weak	Friable
28-36	Fill Soil	2	7.5YR 4/3				Platy	Weak	Friable
36-44	Loamy Fine Sand	2	7.5YR 4/6				Granular	Weak	Friable

Comments: FILL SOIL IS LOAMY SAND

I hereby certify that I have completed this work in accordance with all applicable ordinances, rules and laws.

KEVIN HERWIG 3945 7/6/2023
 (Designer/Inspector) (License #) (Date)

Optional Verification: I hereby certify that this soil observation was verified according to Minn. R. 7082.0500 subp. 3 A. The signature below represents an infield verification of the periodically saturated soil or bedrock at the proposed soil treatment and dispersal site.

 (Signature) (Cert #) (Date)



Design Summary Page



1. PROJECT INFORMATION v 03.15.2023

Property Owner/Client:	MILLE LACS BAND OF OJIBWE	Project ID:	
Site Address:	46145 GRACE LAKE RD SANDSTONE MN.	Date:	07/05/23
Email Address:		Phone:	

2. DESIGN FLOW & WASTE STRENGTH *Attach waste strength data/estimated strength for Other Establishments*

Design Flow:	600	GPD	Anticipated Waste Type:	Residential
BOD:	170	mg/L	TSS:	60
			Oil & Grease:	25
Treatment Level:	Select Treatment Level C for residential septic tank effluent			

3. HOLDING TANK SIZING

Minimum Capacity: Residential = 1000 gal or 400 gal/bedroom, Other Establishment = Design Flow x 5.0, Minimum size 1000 gallons

Code Minimum Holding Tank Capacity: Gallons with Tanks or Compartments

Recommended Holding Tank Capacity: Gallons with Tanks or Compartments

Type of High Level Alarm: (Set @ 75% tank capacity)

Comments:

4. SEPTIC TANK SIZING

A. Residential dwellings:

Number of Bedrooms (Residential):

Code Minimum Septic Tank Capacity: Gallons with Tanks or Compartments

Recommended Septic Tank Capacity: Gallons with Tanks or Compartments

Effluent Screen & Alarm (Y/N): Model/Type:

B. Other Establishments:

Waste received by: GPD x Days Hyd. Retention Time

Code Minimum Septic Tank Capacity: Gallons with Tanks or Compartments

Recommended Septic Tank Capacity: Gallons with Tanks or Compartments

Effluent Screen & Alarm (Y/N): Model/Type:

* Other Establishments Require Department of Labor and Industry Approval and Inspection for Building Sewer *

5. PUMP TANK SIZING

<u>Soil Treatment Dosing Tank</u>	<u>Other Component Dosing Tank:</u>
Pump Tank Capacity (Minimum): <input type="text" value="500"/> Gal	Pump Tank Capacity (Minimum): <input type="text"/> Gal
Pump Tank Capacity (Recommended): <input type="text" value="1000"/> Gal	Pump Tank Capacity (Recommended): <input type="text"/> Gal
Pump Req: <input type="text" value="38.0"/> GPM Total Head <input type="text" value="20.5"/> ft	Pump Req: <input type="text"/> GPM Total Head <input type="text"/> ft
Supply Pipe Dia. <input type="text" value="2.00"/> in Dose Vol: <input type="text" value="150.0"/> gal	Supply Pipe Dia. <input type="text"/> in Dose Vol: <input type="text"/> Gal

* Flow measurement device must be incorporated for any system with a pump: Elapsed Time Meter and/or Event Counter *



Design Summary Page



6. SYSTEM AND DISTRIBUTION TYPE		Project ID: _____	
Soil Treatment Type:	<input type="text" value="Mound"/>	Distribution Type:	<input type="text" value="Pressure Distribution-Level"/>
Elevation Benchmark:	<input type="text" value="100.0"/> ft	Benchmark Location:	<input type="text" value="BOTTOM OF SIDING"/>
MPCA System Type:	<input type="text" value="Type III"/>	Distribution Media:	<input type="text" value="Rock"/>
Type III/IV/V Details:	<input type="text" value="LOAMY SAND FILL MATERIAL"/>		

7. SITE EVALUATION SUMMARY:			
Describe Limiting Condition: <input type="text" value="FILL MATERIAL"/>			
Layers with >35% Rock Fragments? (yes/no) <input type="text" value="No"/> If yes, describe below: % rock and layer thickness, amount of soil credit and any additional information for addressing the rock fragments in this design.			
Note: <input style="height: 20px;" type="text"/>			
	Depth	Depth	Elevation of Limiting Condition
Limiting Condition:	<input type="text" value="0"/> inches	<input type="text" value="0.0"/> ft	<input type="text" value="98.50"/> ft Critical for system compliance
Minimum Req'd Separation:	<input type="text" value="36"/> inches	<input type="text" value="3.0"/> ft	<i>Distribution Elevation > Code Max Depth</i>
Code Max System Depth*:	<input type="text" value="Mound"/> inches	<input type="text" value="-3.0"/> ft	<input type="text" value="101.50"/> ft Elevation OK
*This is the maximum depth to the bottom of the distribution media for required separation. Negative Depth (ft) requires a mound.			
Designed Distribution Elevation:	<input type="text" value="101.5"/> ft	Minimum Sand Depth:	<input type="text" value="36.0"/> inches
A. Soil Texture: <input type="text" value="Medium Loamy Sand"/> B. Organic Loading Rate (optional): <input type="text" value=""/> lbs/sq.ft/day 0			
C. Soil Hyd. Loading Rate: <input type="text" value="0.68"/> GPD/ft ²		D. Percolation Rate: <input type="text" value=""/> MPI	
E. Contour Loading Rate: <input type="text" value="12"/>	Note: <input style="width: 100%;" type="text"/>		
F. Measured Land Slope: <input type="text" value="7.0"/> %	Note: <input style="width: 100%;" type="text"/>		
Comments: <input style="width: 100%;" type="text"/>			

8. SOIL TREATMENT AREA DESIGN SUMMARY					
Trench:					
Dispersal Area	<input type="text"/>	sq.ft	Sidewall Depth	<input type="text"/>	in
Trench Width	<input type="text"/>	ft			
Total Lineal Feet	<input type="text"/>	ft	No. of Trenches	<input type="text"/>	Code Max. Trench Depth
Contour Loading Rate	<input type="text"/>	ft	Minimum Length	<input type="text"/>	ft
			Designed Trench Depth	<input type="text"/>	in
Bed:					
Dispersal Area	<input type="text"/>	sq.ft	Sidewall Depth	<input type="text"/>	in
Maximum Bed Depth	<input type="text"/>	in			
Bed Width	<input type="text"/>	ft	Bed Length	<input type="text"/>	ft
			Designed Bed Depth	<input type="text"/>	in
Mound:					
Dispersal Area	<input type="text" value="500.0"/>	sq.ft	Bed Length	<input type="text" value="50.0"/>	ft
Bed Width	<input type="text" value="10.0"/>	ft			
Absorption Width	<input type="text" value="18.0"/>	ft	Clean Sand Lift	<input type="text" value="3.0"/>	ft
Berm Width (0-1%)	<input type="text"/>	ft			
Upslope Berm Width	<input type="text" value="12.2"/>	ft	Downslope Berm	<input type="text" value="21.3"/>	ft
Endslope Berm Width	<input type="text" value="16.8"/>	ft			
Total System Length	<input type="text" value="83.6"/>	ft	System Width	<input type="text" value="43.4"/>	ft
			Contour Loading Rate	<input type="text" value="12.0"/>	gal/ft



Project ID: _____

At-Grade:

Dispersal Area sq.ft Bed Length ft Bed Width ft
 Upslope Berm ft Downslope Berm ft Finished Height ft
 System Length ft Endslope Berm ft System Width ft

Level & Equal Pressure Distribution Soil Treatment Area

No. of Laterals Lateral Diameter in Lateral Spacing ft
 Perforation Spacing ft Perforation Diameter in Drainback Volume gal
 Min Dose Volume gal Max Dose Volume gal Total Dosing Volume gal

Non-Level and Unequal Pressure Distribution Soil Treatment Area

	Elevation (ft)	Pipe Size (in)	Pipe Volume (gal/ft)	Pipe Length (ft)	Perf Size (in)	Spacing (ft)	Spacing (in)	Minimum Dose Volume <input type="text"/> gal
Lateral 1								
Lateral 2								Maximum Dose Volume <input type="text"/> gal
Lateral 3								<input type="text"/> gal
Lateral 4								Total Dosing Volume <input type="text"/> gal
Lateral 5								
Lateral 6								<input type="text"/> gal

9. Organic Loading and Additional Info for At-Risk, HSW or Type IV Design

Organic Loading to Soil Treatment

A. Starting BOD Concentration = Design Flow X 0.7 X Starting BOD (mg/L) X 8.35 ÷ 1,000,000

gpd X mg/L X 8.35 ÷ 1,000,000 = lbs. BOD/day (Organic Loading Design)

B. Organic Loading to Soil Treatment Area: (enter loading value in 7B)

mg/L X gpd X 0.7 X 8.35 ÷ 1,000,000 ÷ sq.ft = lbs./day/sqft

HSW Technology Strength Reduction

A. Starting BOD Concentration = Design Flow X Starting BOD (mg/L) X 8.35 ÷ 1,000,000

gpd X mg/L X 8.35 ÷ 1,000,000 = lbs. BOD/day (HSW Technology Design)

B. Target BOD Concentration = Design Flow X Target BOD (mg/L) X 8.35 ÷ 1,000,000

gpd X mg/L X 8.35 ÷ 1,000,000 = lbs. BOD/day (HSW Technology Design)

Lbs. BOD To Be Removed: lbs. BOD/day (HSW Technology Design)

Pretreatment Technology: *Must Meet or Exceed Target

Disinfection Technology: *Required for Levels A & B

10. Comments/Special Design Considerations:

I hereby certify that I have completed this work in accordance with all applicable ordinances, rules and laws.

KEVIN HERWIG
(Designer)

Kevin Herwig
(Signature)

3945
(License #)

7/5/2023
(Date)



Mound Design Worksheet

≥1% Slope

1. SYSTEM SIZING:

Project ID:

v 03.15.2023

- A. Design Flow: GPD
- B. Soil Loading Rate: GPD/sqft
- C. Depth to Limiting Condition: ft
- D. Percent Land Slope: %
- E. Media (Sand) Loading Rate: GPD/sqft
- F. Mound Absorption Ratio:

Measured Perc. Rate	OR	Yardline-derived mound absorption ratio	OR	Contour Loading Rate
≤ 60mpi	OR	1.0, 1.3, 2.0, 2.4, 2.6	→	≤12
61-120 mpi	OR	5.0	→	≤12
≥ 120 mpi*	OR	>5.0*	→	≤6*

Percolation Rate (MPI)	Treatment Level C		Treatment Level A, A-2, B	
	Absorption Area Loading Rate (gal/ft ²)	Mound Absorption Ratio	Absorption Area Loading Rate (gal/ft ²)	Mound Absorption Ratio
<0.1	-	1	-	1
0.1 to 5	1.2	1	1.8	1
0.1 to 5 (fine sand and loamy fine sand)	0.6	2	1	1.6
8 to 16	0.78	1.5	1	1.6
16 to 30	0.6	2	0.78	2
31 to 45	0.6	2.4	0.78	2
46 to 60	0.45	2.6	0.8	2.6
61 to 120	-	5	0.3	5.3
>120	-	-	-	-

*Systems with these values are not Type I systems. Contour Loading Rate (linear loading rate) is a recommended value.

2. DISPERSAL MEDIA SIZING

A. Hydraulic Absorption Required Bottom Area: Design Flow (1A) ÷ Design Media Loading Rate(1E)

$$\frac{600 \text{ GPD}}{1.2 \text{ GPD/sqft}} = 500 \text{ sq.ft}$$

(Organic Sizing (OPTIONAL))

B. Organic Absorption Bed Area = Organic Loading (Summary 9A) ÷ Organic Soil Loading Rate (Summary 7B)

$$\text{[] lbs BOD} \div \text{[] lbs BOD/sq.ft} = \text{[] sq.ft}$$

C. Required Bed Area = Greater of Hydraulic (1D) or Organic Bed Area (1E) sq.ft

D. Designed Dispersal Media Area: sq.ft *Optional upsizing of area to be larger than 2C*

B. Enter Dispersal Bed Width: ft *Can not exceed 10 feet*

C. Calculate Contour Loading Rate: Bed Width(2B) X Design Media Loading Rate(1E)

$$10 \text{ ft} \times 1.2 \text{ GPD/sqft} = 12.0 \text{ gal/ft} \quad \text{Can not exceed Table 1}$$

D. Calculate Minimum Dispersal Bed Length: Dispersal Bed Area(2A) ÷ Bed Width(2B)

$$500 \text{ sqft} \div 10.0 \text{ ft} = 50.0 \text{ ft}$$

If a larger dispersal media Length is desired, enter size: ft

3. ABSORPTION AREA SIZING

A. Calculate Absorption Width: Bed Width(2B) X Mound Absorption Ratio(1F)

$$10.0 \text{ ft} \times 1.8 = 18.0 \text{ ft}$$

B. For slopes >1%, the Absorption Width is measured downhill from the upslope edge of the Bed.

Calculate Downslope Absorption Width: Absorption Width(1F) - Bed Width(2B)

$$18.0 \text{ ft} - 10.0 \text{ ft} = 8.0 \text{ ft}$$

4. DISTRIBUTION MEDIA:

Project ID:

Select Dispersal Media: Enter Either 4A or 4B

A. Rock Depth Below Distribution Pipe

in

B. Registered Media

Registered Media Depth in

Check registered product information for specific application details and design

Specific Media Comments:

5. MOUND SIZING

Project ID:

A. Clean Sand Lift: Required Separation - Depth to Limiting Condition = Clean Sand Lift (1 ft minimum)

ft - ft = ft Design Sand Lift (optional): ft

B. Upslope Height: Clean Sand Lift(6A) + Depth of Media(4AorB) +Depth to Cover Pipe+ Depth of Cover (1 ft)

ft + ft + ft + ft = ft

Land Slope %	0	1	2	3	4	5	6	7	8	9	10	11	12	
Upslope Berm Ratio	3:1	3.00	2.91	2.83	2.75	2.68	2.61	2.54	2.48	2.42	2.36	2.31	2.26	2.21
	4:1	4.00	3.85	3.70	3.57	3.45	3.33	3.23	3.12	3.03	2.94	2.86	2.78	2.70

C. Select Upslope Berm Multiplier (based on land slope):

D. Calculate Upslope Berm Width: Multiplier (5C) X Upslope Mound Height (5B)

X ft = ft

E. Calculate Drop in Elevation Under Bed: Bed Width(2B) X Land Slope(1D) ÷ 100 = Drop (ft)

ft X % ÷ 100 = ft

F. Calculate Downslope Mound Height: Upslope Height(5B) + Drop in Elevation(5E)

ft + ft = ft

Land Slope %	0	1	2	3	4	5	6	7	8	9	10	11	12	
Downslope Berm Ratio	3:1	3.00	3.09	3.19	3.30	3.41	3.53	3.66	3.80	3.95	4.11	4.29	4.48	4.69
	4:1	4.00	4.17	4.35	4.54	4.76	5.00	5.26	5.56	5.88	6.25	6.67	7.14	7.69

G. Select Downslope Berm Multiplier (based on land slope):

H. Calculate Downslope Berm Width: Downslope Multiplier(5G) X Downslope Height (5F)

x ft = ft

I. Calculate Minimum Berm to Cover Absorption Area: Downslope Absorption Width(3A) + 4 feet

ft + ft = ft

J. Design Downslope Berm = greater of 5H and 5I: ft

K. Select Endslope Berm Multiplier: (usually 3.0 or 4.0)

L. Calculate Endslope Berm Width = Endslope Berm Multiplier(5K) X Downslope Mound Height(5F)

X ft = ft

M. Calculate Mound Width: Upslope Berm Width(5D) + Bed Width(2B) + Downslope Berm Width(5J)

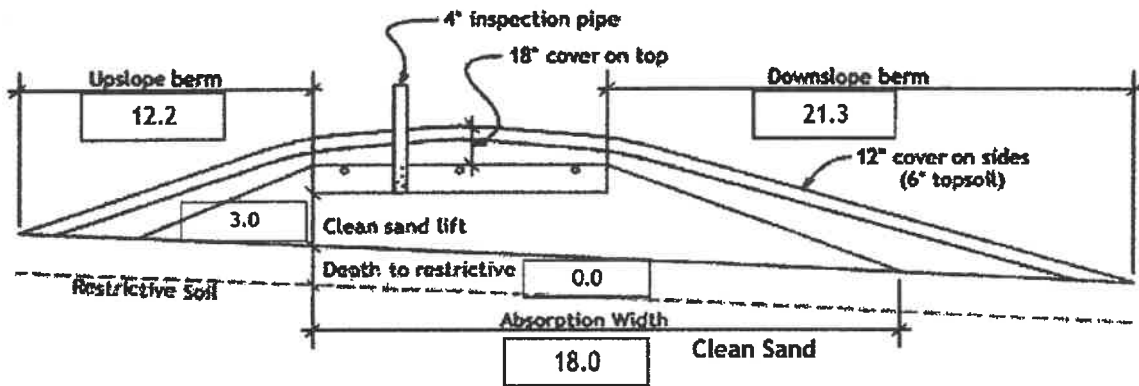
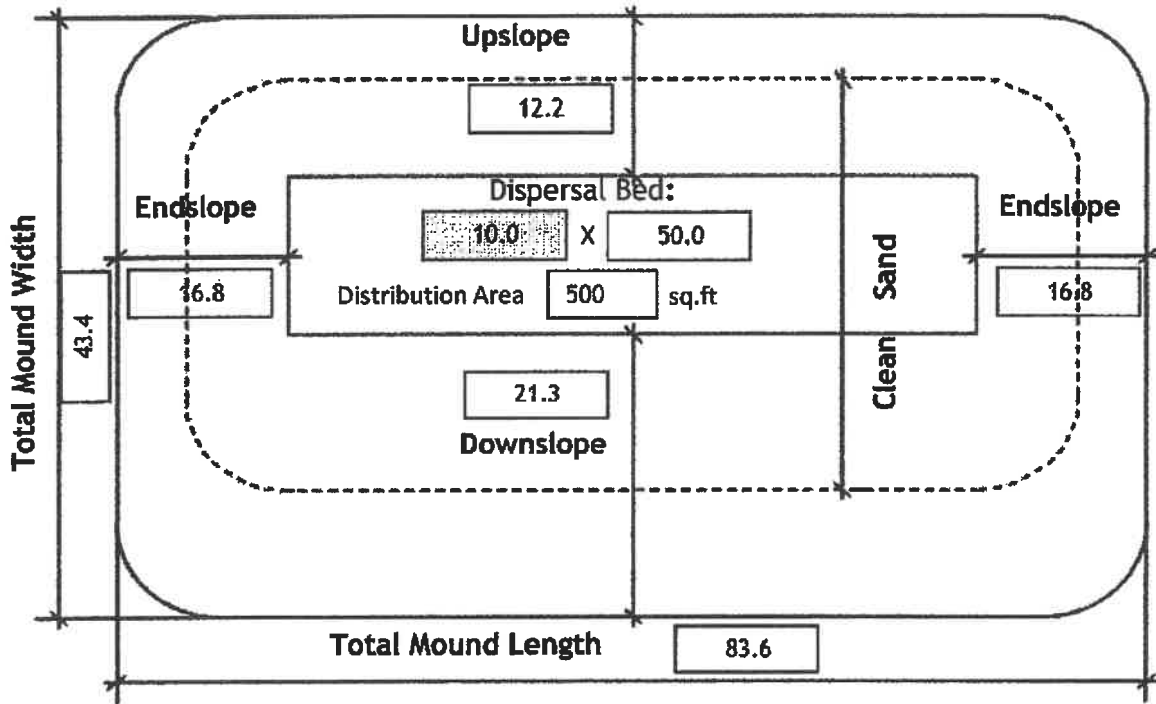
ft + ft + ft = ft

N. Calculate Mound Length: Endslope Berm Width (5L) + Bed Length(2D) + Endslope Berm Width(5L)

ft + ft + ft = ft

6. MOUND DIMENSIONS (Feet)

Project ID:



Required Separation:	<input type="text" value="36"/> (in)	Elevation Limiting Layer:	<input type="text" value="98.5"/> ft
Distribution Media:	<input type="text" value="Rock"/>	Elevation required Separation:	<input type="text" value="101.5"/> ft
Media Depth:	<input type="text" value="6.0"/> (in)	Elevation Distribution Media Bottom:	<input type="text" value="101.5"/> ft
Manifold Connection:	<input type="text" value="End"/>	Elevation Top of Media(min):	<input type="text" value="102.4"/> ft
Lateral Pipe Diameter:	<input type="text" value="2.00"/> (in)	Elevation Top of System(min):	<input type="text" value="103.4"/> ft
Perforation Size:	<input type="text" value="1/4"/> (in)	Perforation Spacing:	<input type="text" value="36.0"/> (in)

If Split and Non-Level Pressure Distribution Used: See Non-Level Pressure Distribution Form

Comments:



Mound Materials Worksheet

Project ID:

v 03.15.2023

A. Rock Volume : (Rock Below Pipe + Rock to cover pipe (pipe outside dia + -2 inch)) X Bed Length X Bed Width = Volume

$$(\boxed{6} \text{ in} + \boxed{} \text{ in}) \div 12 \times \boxed{50.0} \text{ ft} \times \boxed{10.0} \text{ ft} = \boxed{250.0} \text{ cu.ft}$$

Divide cu.ft by 27 cu.ft/cu.yd to calculate cubic yards: $\boxed{250.0} \text{ cu.ft} \div 27 = \boxed{9.3} \text{ cu.yd}$

Add 30% for constructability: $\boxed{9.3} \text{ cu.yd} \times 1.3 = \boxed{12.0} \text{ cu.yd}$

B. Calculate Clean Sand Volume:

Volume Under Rock bed : Average Sand Depth x Media Width x Media Length = cubic feet

$$\boxed{3.4} \text{ ft} \times \boxed{10.0} \text{ ft} \times \boxed{50} \text{ ft} = \boxed{1675} \text{ cu.ft}$$

For a Mound on a slope from 0-1%

Volume from Length = ((Upslope Mound Height - 1) X Absorption Width Beyond Bed X Media Bed Length)

$$\boxed{} \text{ ft} - 1) \times \boxed{} \times \boxed{} \text{ ft} = \boxed{}$$

Volume from Width = ((Upslope Mound Height - 1) X Absorption Width Beyond Bed X Media Bed Width)

$$\boxed{} \text{ ft} - 1) \times \boxed{} \times \boxed{} \text{ ft} = \boxed{}$$

Total Clean Sand Volume : Volume from Length + Volume from Width + Volume Under Media

$$\boxed{} \text{ cu.ft} + \boxed{} \text{ cu.ft} + \boxed{} \text{ cu.ft} = \boxed{} \text{ cu.ft}$$

For a Mound on a slope greater than 1%

Upslope Volume : ((Upslope Mound Height - 1) x 3 x Bed Length) + 2 = cubic feet

$$((\boxed{4.9} \text{ ft} - 1) \times 3.0 \text{ ft} \times \boxed{50.0}) + 2 = \boxed{292.5} \text{ cu.ft}$$

Downslope Volume : ((Downslope Height - 1) x Downslope Absorption Width x Media Length) ÷ 2 = cubic feet

$$((\boxed{5.6} \text{ ft} - 1) \times \boxed{8.0} \text{ ft} \times \boxed{50.0}) \div 2 = \boxed{920.0} \text{ cu.ft}$$

Endslope Volume : (Downslope Mound Height - 1) x 3 x Media Width = cubic feet

$$(\boxed{5.6} \text{ ft} - 1) \times 3.0 \text{ ft} \times \boxed{10.0} \text{ ft} = \boxed{138.0} \text{ cu.ft}$$

Total Clean Sand Volume : Upslope Volume + Downslope Volume + Endslope Volume + Volume Under Media

$$\boxed{292.5} \text{ cu.ft} + \boxed{920.0} \text{ cu.ft} + \boxed{138.0} \text{ cu.ft} + \boxed{1675.0} \text{ cu.ft} = \boxed{3025.5} \text{ cu.ft}$$

Divide cu.ft by 27 cu.ft/cu.yd to calculate cubic yards: $\boxed{3025.5} \text{ cu.ft} \div 27 = \boxed{112.1} \text{ cu.yd}$

Add 30% for constructability: $\boxed{112.1} \text{ cu.yd} \times 1.3 = \boxed{145.7} \text{ cu.yd}$

C. Calculate Sandy Berm Volume:

Total Berm Volume (approx.) : ((Avg. Mound Height - 0.5 ft topsoil) x Mound Width x Mound Length) + 2

$$(\boxed{5.3} - 0.5) \text{ ft} \times \boxed{43.4} \text{ ft} \times \boxed{83.6} + 2 = \boxed{8623.4} \text{ cu.ft}$$

Total Mound Volume - Clean Sand volume - Rock Volume = cubic feet

$$\boxed{8623.4} \text{ cu.ft} - \boxed{3025.5} \text{ cu.ft} - \boxed{250.0} \text{ cu.ft} = \boxed{5347.9} \text{ cu.ft}$$

Divide cu.ft by 27 cu.ft/cu.yd to calculate cubic yards: $\boxed{5347.9} \text{ cu.ft} \div 27 = \boxed{198.1} \text{ cu.yd}$

Add 30% for constructability: $\boxed{198.1} \text{ yd}^3 \times 1.3 = \boxed{257.5} \text{ cu.yd}$

D. Calculate Topsoil Material Volume: Total Mound Width X Total Mound Length X .5 ft

$$\boxed{43.4} \text{ ft} \times \boxed{83.6} \text{ ft} \times 0.5 \text{ ft} = \boxed{1815.5} \text{ cu.ft}$$

Divide cu.ft by 27 cu.ft/cu.yd to calculate cubic yards: $\boxed{1815.5} \text{ cu.ft} \div 27 = \boxed{67.2} \text{ cu.yd}$

Add 30% for constructability: $\boxed{67.2} \text{ cu.yd} \times 1.3 = \boxed{87.4} \text{ cu.yd}$

Project ID:

v 03.15.2023

- Media Bed Width: ft
- Minimum Number of Laterals in system/zone = Rounded up number of $[(\text{Media Bed Width} - 4) \div 3] + 1$.

$$\{[(\text{10} - 4) \div 3] + 1 = \text{3} \text{ laterals} \quad \text{Does not apply to at-grades}$$
- Designer Selected Number of Laterals: laterals
Cannot be less than line 2 (Except in at-grades)
- Select Perforation Spacing: ft
- Select Perforation Diameter Size: in
- Length of Laterals = Media Bed Length(1.) - 2 Feet.

$$\text{50.0} - 2\text{ft} = \text{48.0} \text{ ft} \quad \text{Perforation can not be closer then 1 foot from edge.}$$
- Determine the Number of Perforation Spaces. Divide the Length of Laterals(6.) by the Perforation Spacing (4.) and round down to the nearest whole number.

$$\text{Number of Perforation Spaces} = \text{48.0} \text{ ft} \div \text{3.0} \text{ ft} = \text{16} \text{ Spaces}$$
- Number of Perforations per Lateral is equal to 1.0 plus the Number of Perforation Spaces(7.). Check table below to verify the number of perforations per lateral guarantees less than a 10% discharge variation. The value is double with a center manifold.

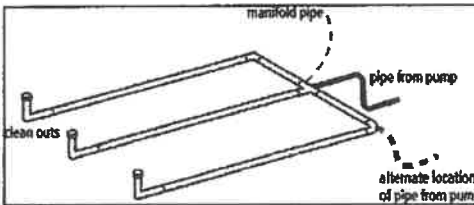
$$\text{Perforations Per Lateral} = \text{16} \text{ Spaces} + 1 = \text{17} \text{ Perfs. Per Lateral}$$



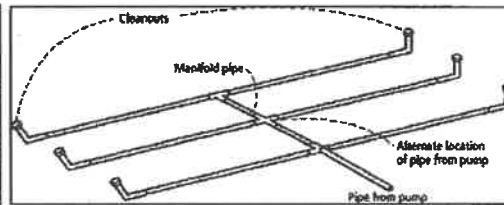
Maximum Number of Perforations Per Lateral to Guarantee $\pm 10\%$ Discharge Variation

Perforation Spacing (Feet)	1/4 Inch Perforations					7/32 Inch Perforations					
	Pipe Diameter (Inches)					Perforation Spacing (Feet)	Pipe Diameter (Inches)				
	1	1 1/4	1 1/2	2	3			1	1 1/4	1 1/2	2
1	10	13	18	30	60	2	11	16	21	34	68
2 1/2	8	12	16	28	54	2 1/2	10	14	20	32	64
3	8	12	16	25	52	3	9	14	19	30	60

Perforation Spacing (Feet)	3/16 Inch Perforations					1/8 Inch Perforations					
	Pipe Diameter (Inches)					Perforation Spacing (Feet)	Pipe Diameter (Inches)				
	1	1 1/4	1 1/2	2	3			1	1 1/4	1 1/2	2
2	12	18	24	40	87	2	21	33	44	74	147
2 1/2	12	17	24	40	80	2 1/2	20	30	41	69	135
3	12	18	22	37	75	3	20	29	38	64	128



END Connection



CENTER Connection

Perf Per Lateral: 17

Perf Per Lateral Equal Split: 9 | 8

OPTIONAL Perf Per Lateral Non-Equal Split*: |
* must not exceed maximum number perfs per lateral in table

9. Total Number of Perforations equals the Number of Perforations per Lateral (8.) multiplied by the Number of Perforated Laterals. (3.)

$$\text{17 Perf. Per Lat.} \times \text{3 Number of Perf. Lat.} = \text{51 Total Number of Perf.}$$

10. Spacing of laterals; Must be greater than 1 foot and no more than 3 feet: ft

11. Select Type of Manifold Connection (End or Center): End
 If Center Manifold Connection the max number of perfs per lateral in the table can be doubled.

12. Select Lateral Diameter (See Table): in



Pressure Distribution Design Worksheet

13. Calculate the Square Feet per Perforation.

Recommended value is 4-11 ft² per perforation, Does not apply to At-Grades

- a. **Bed Area = Bed Width (ft) X Bed Length (ft)**

ft X ft = sq.ft

- b. **Square Foot per Perforation = Bed Area ÷ by the Total Number of Perfs**

sqft ÷ perf = sq.ft/perf

14. Select Minimum Average Head:

ft

15. Select Perforation Discharge based on Table:

GPM per Perf

16. Flow Rate = Total Number of Perfs(9.) X Perforation Discharge(15.)

Perfs X GPM per Perforation = GPM

17. Volume of Liquid Per Foot of Distribution Piping (Table II):

Gallons/ft

18. Volume of Distribution Piping = Number of Perforated Laterals(3.) X Length of Laterals(6.) X Volume of Liquid Per Foot of Distribution Piping (17.)

X ft X gal/ft = Gallons

19. Minimum Delivered Volume = Volume of Distribution Piping X 4

gals X 4 = Gallons

20. Maximum Delivered Volume = Design flow x 25%

gpd X 25% = Gallons

21. Minimum Delivered vs Maximum Delivered evaluation:

Head (ft)	Perforation Discharge (GPM)			
	1/8	1/16	1/32	1/4
1.0	0.19	0.41	0.56	0.74
1.5	0.22	0.51	0.69	0.9
2.0	0.26	0.59	0.80	1.04
2.5	0.29	0.65	0.89	1.17
3.0	0.32	0.72	0.98	1.28
4.0	0.37	0.82	1.13	1.47
5.0	0.41	0.93	1.26	1.65
1 foot	Dwellings with 3/16 inch to 1/4 inch perforations			
2 feet	Dwellings with 1/8 inch perforations Other establishments and NSTS with 3/16 inch to 1/4 inch perforations			
5 feet	Other establishments and NSTS with 1/8 inch perforations			

Table II Volume of Liquid in Pipe	
Pipe Diameter (Inches)	Liquid Per Foot (Gallons)
1	0.045
1.25	0.078
1.5	0.110
2	0.170
3	0.380
4	0.661

Comments/Special Design Considerations:

1. PUMP CAPACITY Project ID: _____ v 03.15.2023

Pumping to Gravity or Pressure Distribution:

A. If pumping to gravity enter the gallon per minute of the pump: GPM (10 - 45 gpm)

B. If pumping to a pressurized distribution system: GPM

C. Enter pump description:

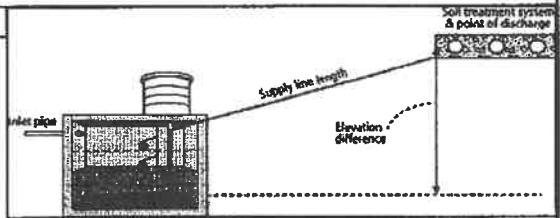
2. HEAD REQUIREMENTS

A. Elevation Difference ft between pump and point of discharge:

B. Distribution Head Loss: ft

C. Additional Head Loss*: ft (due to special equipment, etc.)

* Common additional head loss: gate valve = 1 ft each, globe valve = 1.5 ft each, splitter valve = see manufacturers details



Distribution Head Loss	
Gravity Distribution = 0ft	
Pressure Distribution based on Minimum Average Head Value on Pressure Distribution Worksheet:	
Minimum Average Head	Distribution Head Loss
1ft	5ft
2ft	6ft
5ft	10ft

Table 1. Friction Loss in Plastic Pipe per 100ft

Flow Rate (GPM)	Pipe Diameter (inches)			
	1	1.25	1.5	2
10	9.1	3.1	1.3	0.3
12	12.8	4.3	1.8	0.4
14	17.0	5.7	2.4	0.6
16	21.8	7.3	3.0	0.7
18		9.1	3.8	0.9
20		11.1	4.6	1.1
25		16.8	6.9	1.7
30		23.5	9.7	2.4
35			12.9	3.2
40			16.5	4.1
45			20.5	5.0
50				6.1
55				7.3
60				8.6
65				10.0
70				11.4
75				13.0
85				16.4
95				20.1

D. 1. Supply Pipe Diameter: in

2. Supply Pipe Length: ft

E. Friction Loss in Plastic Pipe per 100ft from Table 1:

Friction Loss = ft per 100ft of pipe

F. Determine Equivalent Pipe Length from pump discharge to soil dispersal area discharge point. Estimate by adding 25% to supply pipe length for fitting loss.
 Supply Pipe Length X 1.25 = Equivalent Pipe Length

ft X 1.25 = ft

G. Calculate Supply Friction Loss by multiplying Friction Loss Per 100ft(E.) by the Equivalent Pipe Length(F.) and divide by 100.

Supply Friction Loss = ft per 100ft X ft ÷ 100 = ft

H. Total Head requirement is the sum of the Elevation Difference(2A) + Distribution Head Loss(2B) + Additional Head Loss(2C) + Supply Friction Loss(2G)

ft + ft + ft + ft = ft

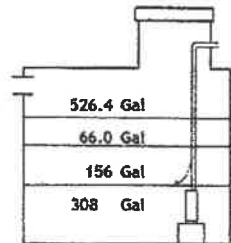
3. PUMP SELECTION

A pump must be selected to deliver at least **38.0** GPM with at least **20.5** feet of total head.

Comments:

DETERMINE TANK CAPACITY AND DIMENSIONS		Project ID:	v 03.15.2023
1. A. Design Flow (Design Sum, 1A):	600	GPD	C. Tank Use: Dosing
B. Min. required pump tank capacity:	500	Gal	D. Recommended pump tank capacity: 1000 Gal
2. A. Tank Manufacturer:	BROWN-WILBERT		B. Tank Model: 1000 GAL
C. Capacity from manufacturer:	1089	Gallons	Note: Design calculations are based on this specific tank. Substituting a different tank model will change the pump float or timer settings. Contact designer if changes are necessary.
D. Gallons per inch from manufacturer:	22.0	Gallons per inch	
E. Liquid depth of tank from manufacturer:	48.0	inches	
DETERMINE DOSING VOLUME			
3. Calculate Volume to Cover Pump (The inlet of the pump must be at least 4-inches from the bottom of the pump tank & 2 inches of water covering the pump is recommended)			
(Pump and block height + 2 inches) X Gallons Per Inch (2D)			
	(12 in + 2 inches) X	22.0	Gallons Per Inch = 308 Gallons
4. Minimum Delivered Volume = 4 X Volume of Distribution Piping:			
-Item 19 of the Pressure Distribution STA or Item 11 of Non-level STA			
	98	Gallons (Minimum dose)	4.5
			inches/dose
5. Calculate Maximum Pumpout Volume (25% of Design Flow(1A))			
Design Flow:	600	GPD X 0.25 =	150
			Gallons (Maximum dose)
			6.8
			inches/dose
6. Select a pumpout volume that meets both Minimum and Maximum:			
			150
			Gallons
7. Calculate Doses Per Day = Design Flow(1A) ÷ Delivered Volume(6.)			
	600	gpd ÷	150
			gal = 4.00
			Doses*
* Doses need to be equal to or greater than 4			
8. Calculate Drainback:			
A. Diameter of Supply Pipe =	2		inches
B. Length of Supply Pipe =	33		feet
C. Volume of Liquid Per Lineal Foot of Pipe =	0.170		Gallons/ft
D. Drainback = Length of Supply Pipe(8B) X Volume of Liquid Per Lineal Foot of Pipe(8C)	33		ft X 0.170 gal/ft = 5.6
			Gallons
9. Total Dosing Volume = Delivered Volume(6.) + Drainback (8D)			
	150	gal +	5.6
			gal = 156
			Gallons
10. Minimum Alarm Volume = Depth of alarm (2 or 3 inches) X gallons per inch of tank(2D)			
	3	in X	22.0
			gal/in = 66.0
			Gallons
11. Reserve Capacity Volume = [Tank Liquid Depth(2E) - Alarm Float Depth(10.)] x gallons per inch of tank(2D)			
	[48.0 in - 24.1 in] X	22.0	gal/in = 526.4
			Gallons
DEMAND DOSE FLOAT SETTINGS		Alarm and Pump are to be wired on separate circuits and inspected by the electrical inspector	
12. Calculate Float Separation Distance using Dosing Volume.			
Total Dosing Volume(9.) ÷ Gallons Per Inch(2D)			
	156	gal ÷	22.0
			gal/in = 7.1
			inches
13. Measuring from bottom of tank:			
A. Distance to set Pump Off Float = Pump + block height + 2 inches	12		in + 2 in = 14
			inches
B. Distance to set Pump On Float=Distance to Set Pump-Off Float(13A) + Float Separation Distance(12.)	14		in +
		7.1	in = 21
			inches
C. Distance to set Alarm Float = Distance to set Pump-On Float(13B) + Alarm Depth (2-3 inches)(10.)	21		in +
		3.0	in = 24
			inches

Volume of Liquid in Pipe	
Pipe Diameter (Inches)	Liquid Per Foot (Gallons)
1	0.045
1.25	0.078
1.5	0.110
2	0.170
3	0.380
4	0.661



MONITORING AND MITIGATION

SEPTIC SYSTEM CLASSIFIED AS TYPE III

Should the system fail a new site for the septic system may be considered or the owner agrees to repair the septic system if it is possible. If the septic system is not repairable the homeowner agrees to disconnect the septic tanks from the septic system and use and maintain the septic tanks as holding tanks.

MILLE LACS BAND OF OJIBWE and ENVIRONMENTAL SYSTEMS are to be notified as soon as possible about any operational problems. If a failure occurs the septic pump must be disconnected immediately and remain disconnected until all repairs are completed. A pumping contract will need to be set up with a septic maintenance contractor. A copy of all documents must be submitted to the county.

The system must be monitored for a minimum of three years. The mound system is to be inspected by the homeowner for leaks or saturated areas. Inspections are to be done every month for 36 months. Any leaks or failures in the system must be reported to the county within 24 hours.

All expenses for repair or replacement are the homeowner's responsibility.

Type III systems are not warranted by the Inspector, Designer, or Installer

I _____ property owner of 46145 GRACE LAKE RD SANDSTONE MN.

Hereby agree that as long as I am the owner of the property, to accept all legal and financial responsibility for future system repair and/or replacement expense in the event that failure of the system on the above referenced property occurs.

Owner

Date

Owners Septic System Management Plan

Date: 7/5/2023

Property Address: 16145 Grace Lake Rd. Sandstone MI

Septic Systems can be an expensive investment, good maintenance will ensure they last a lifetime. The purpose of a septic system is to properly "decompose" the pollutants before the water is recycled back into the groundwater. If you're not taking this seriously, ask yourself where your well water comes from.

Your septic design lists all the components of your system and their location. Keep the design, this management plan and the UofM "Septic System Owners Guide" in a safe place for future reference. For a copy of the Owners guide call the University of MN at 1-800-876-8636.

Some of the following tasks you can do yourself, some require a professional, but is it YOUR responsibility to see that it gets done.

Homeowner Tasks

- Do your best to conserve water. Don't overload your septic with multiple large water uses at the same time or on the same day.
- Fix household leaks promptly (leaky toilet, dripping faucets).
- Limit bleach and anti-bacterial products. Use Biodegradable dishwasher detergent.
- Consider a lint filter on your clothes washer.
- Regularly check for wet or spongy soil around your drainfield.
- Have a septic professional check your tanks every 3 years to determine if they need pumping.
- If you have a septic tank filter (effluent filter) clean it on a regular basis (or have a professional do it).
- If a septic alarm goes off, call your septic professional to diagnose the problem.
- Notify the County/City/Township when this management plan is not being met.
- Be aware of and protect your secondary drainfield site.

Professional Tasks

- Disclose the location of the secondary drainfield (if applicable).
- Respond to alarms and diagnose problems as needed.
- Review water use with the owner, check for a "soggy" drainfield.
- Pump the septic tanks as needed and ensure they are in proper working order.
- Verify the pump, dose amount, HI Level Alarm & drainback are all working properly.

"As the owner, I understand it is my responsibility to properly operate and maintain this septic system".

Property Owner Signature: _____ Date _____