

***ENVIRONMENTAL SYSTEMS LLC.***

***2358 HWY# 23  
MORA MN. 55051  
Ph. 320-241-7036***

***DESIGN***

**LOCATION: MN**

**OWNER: MILLE LACS BAND OF OJIBWE**

**SYSTEM TYPE: TYPE III MOUND**

**DESIGN FLOW: 4 BEDROOM DESIGNED @ 600 GPD**

**TREATMENT AREA: 500 SQ.FT.**

**SLOPE: 7 %**

**SEPTIC TANK: 2250 GAL. SPLIT/COMBO**

**PUMP TANK: BROWN -WILBERT 1000 GAL.**

**PUMP: GOULDS WE 511H**

**FLOW METER: SJE RHOMBUS  
MODEL# EZP11W6COH1JV8G10EP17A22C**

**KEVIN HERWIG M.P.C.A. 3945**

*Kevin Herwig* 7/5/2023


## **CONSTRUCTION NOTES**

**PRODUCT BRAND & MODEL LISTED IN DESIGN MUST BE USED. BROWN-WILBERT TANKS – SEPTIC 2250 GAL. COMBO WITH POLYLOK PL-122 FILTER AND ALARM, PUMP TANK 1000 GAL. BROWN-WIFLBERT PUMP – GOULDS WE511H \*\* PUMP CHAMBER AND PUMP SETTINGS WILL NOT BE CORRECT IF OTHER PRODUCTS ARE USED.**

**SJE RHOMBUS EZPIIW6COHIJV8GI0EP17A22C CONTROL IT IS THE DESIGNER'S DISCRETION TO APPROVE OR DISAPPROVE SUBSTITUTIONS.THE INSTALLER WILL BE RESPONSIBLE FOR DESIGN CHANGE FEE.**

**ALL PRODUCTS AND CONSTRUCTION PRACTICES ARE TO MEET M.P.C.A. 7080 RULE AND MILLE LACS BAND SPECIFICATION FOR SEWAGE TREATMENT SYSTEMS**

**KEVIN HERWIG LIC # 3945**

 7/5/2023



# Preliminary Evaluation Worksheet

## 1. Contact Information

v 03.15.2023

Property Owner/Client:  Date Completed:

Site Address:  Project ID:

Email:  Phone:

Mailing Address:  Alt Phone:

Legal Description:

Parcel ID:  SEC:  TWP:  RNG:

## 2. Flow and General System Information

### A. Client-Provided Information

Project Type:  New Construction  Replacement  Expansion  Repair

Project Use:  Residential  Other Establishment:

Residential use: # Bedrooms:  Dwelling sq.ft.:  Unfinished sq.ft.:

# Adults:  # Children:  # Teenagers:

In-home business (Y/N):  If yes, describe:

Water-using devices: (check all that apply)

<input type="checkbox"/> Garbage Disposal/Grinder	<input type="checkbox"/> Dishwasher	<input type="checkbox"/> Hot Tub*
<input type="checkbox"/> Sewage pump in basement	<input type="checkbox"/> Water Softener*	<input type="checkbox"/> Sump Pump*
<input type="checkbox"/> Large Bathtub >40 gallons	<input type="checkbox"/> Iron Filter*	<input type="checkbox"/> Self-Cleaning Humidifier*
<input type="checkbox"/> Clothes Washing Machine	<input type="checkbox"/> High Eff. Furnace*	<input type="checkbox"/> Other: <input type="text"/>

\* Clear water source - should not go into system

Additional current or future uses:

Anticipated non-domestic waste:

The above is complete & accurate:

*Client signature & date*

### B. Designer-determined Flow and Anticipated Waste Strength Information

Attach additional information as necessary.

Design Flow:  GPD Anticipated Waste Type:

Maximum Concentration BOD:  mg/L TSS  mg/L Oil & Grease  mg/L

## 3. Preliminary Site Information

### A. Water Supply Wells

#	Description	Mn. ID#	Well Depth (ft.)	Casing Depth (ft.)	Confining Layer	STA Setback	Source
1							
2							
3							
4							

Additional Well Information:



# Preliminary Evaluation Worksheet

Site within 200' of noncommunity transient well (Y/N)	<input type="text" value="No"/>	Yes, source: <input style="width: 80%;" type="text"/>
Site within a drinking water supply management area (Y/N)	<input type="text" value="No"/>	Yes, source: <input style="width: 80%;" type="text"/>
Site in Well Head Protection inner wellhead management zone (Y/N)	<input type="text" value="No"/>	Yes, source: <input style="width: 80%;" type="text"/>
Buried water supply pipes within 50 ft of proposed system (Y/N)	<input type="text" value="No"/>	265' TO
<b>B. Site located in a shoreland district/area?</b>	<input type="text" value="NA"/>	Yes, name: <input style="width: 80%;" type="text" value="BENJAMIN LAKE"/>
Elevation of ordinary high water level:	<input type="text" value="NA"/> ft	Source: <input style="width: 80%;" type="text"/>
Classification: <input style="width: 150px;" type="text"/>	Tank Setback: <input style="width: 50px;" type="text" value="265"/> ft.	STA Setback: <input style="width: 50px;" type="text" value="295"/> ft.
<b>C. Site located in a floodplain?</b>	<input type="text" value="No"/>	Yes, Type(s): <input style="width: 80%;" type="text" value="N/A"/>
Floodplain designation/elevation (10 Year):	<input type="text" value="N/A"/> ft	Source: <input style="width: 80%;" type="text" value="N/A"/>
Floodplain designation/elevation (100 Year):	<input type="text" value="N/A"/> ft	Source: <input style="width: 80%;" type="text" value="N/A"/>
<b>D. Property Line Id / Source:</b>	<input checked="" type="checkbox"/> Owner <input type="checkbox"/> Survey <input type="checkbox"/> County GIS <input type="checkbox"/> Plat Map <input type="checkbox"/> Other: <input style="width: 100px;" type="text"/>	
<b>E. ID distance of relevant setbacks on map:</b>	<input type="checkbox"/> Water <input type="checkbox"/> Easements <input checked="" type="checkbox"/> Well(s) <input checked="" type="checkbox"/> Building(s) <input type="checkbox"/> Property Lines <input type="checkbox"/> OHWL <input type="checkbox"/> Other: <input style="width: 100px;" type="text"/>	

**4. Preliminary Soil Profile Information From Web Soil Survey (attach map & description)**

Map Units:	<input style="width: 90%;" type="text" value="NONE"/>	Slope Range:	<input style="width: 80%;" type="text"/> %
List landforms:	<input style="width: 95%;" type="text"/>		
Landform position(s):	<input style="width: 95%;" type="text"/>		
Parent materials:	<input style="width: 95%;" type="text"/>		
Depth to Bedrock/Restrictive Feature:	<input style="width: 50px;" type="text"/> in	Depth to Watertable:	<input style="width: 50px;" type="text"/> in
Map Unit Ratings	Septic Tank Absorption Field- At-grade:	<input style="width: 90%;" type="text"/>	
	Septic Tank Absorption Field- Mound:	<input style="width: 90%;" type="text"/>	
	Septic Tank Absorption Field- Trench:	<input style="width: 90%;" type="text"/>	

**5. Local Government Unit Information**

Name of LGU:	<input style="width: 95%;" type="text" value="MILLE BAND OF OJIBWE"/>
LGU Contact:	<input style="width: 95%;" type="text" value="CARLA"/>
LGU-specific setbacks:	<input style="width: 95%;" type="text"/>
LGU-specific design requirements:	<input style="width: 95%;" type="text"/>
LGU-specific installation requirements:	<input style="width: 95%;" type="text"/>

Notes:

**1. Project Information** v 03.15.2023

Property Owner/Client:  Project ID:

Site Address:  Date Completed:

**2. Utility and Structure Information**

Utility Locations Identified  Gopher State One Call #   Any Private Utilities:

Locate and Verify (see Site Evaluation map)  Existing Buildings  Improvements  Easements  Setbacks

**3. Site Information**

Vegetation type(s):  Landscape position:

Percent slope:  % Slope shape:  Slope direction:

Describe the flooding or run-on potential of site:

Describe the need for Type III or Type IV system:

Note:

Proposed soil treatment area protected? (Y/N):  If yes, describe:

**4. General Soils Information**

Filled, Compacted, Disturbed areas (Y/N):

If yes, describe:

Soil observations were conducted in the proposed system location (Y/N):

A soil observation in the most limiting area of the proposed system (Y/N):

Number of soil observations:  Soil observation logs attached (Y/N):

Percolation tests performed & attached (Y/N):

**5. Phase I. Reporting Information**

	Depth	Elevation	
Limiting Condition*:	0 in	98.5 ft	*Most Restrictive Depth Identified from List Below
Periodically saturated soil:	in	ft	Soil Texture: <input type="text" value="Medium Loamy Sand"/>
Standing water:	in	ft	Percolation Rate: <input type="text"/> min/inch
Bedrock:	in	ft	Soil Hyd Loading Rate: <input type="text" value="0.68"/> gpd/sq.ft
Benchmark Elevation:	100.0 ft	Elevations and Benchmark on map? (Y/N): <input type="text"/>	

Benchmark Elevation Location:

Differences between soil survey and field evaluation:

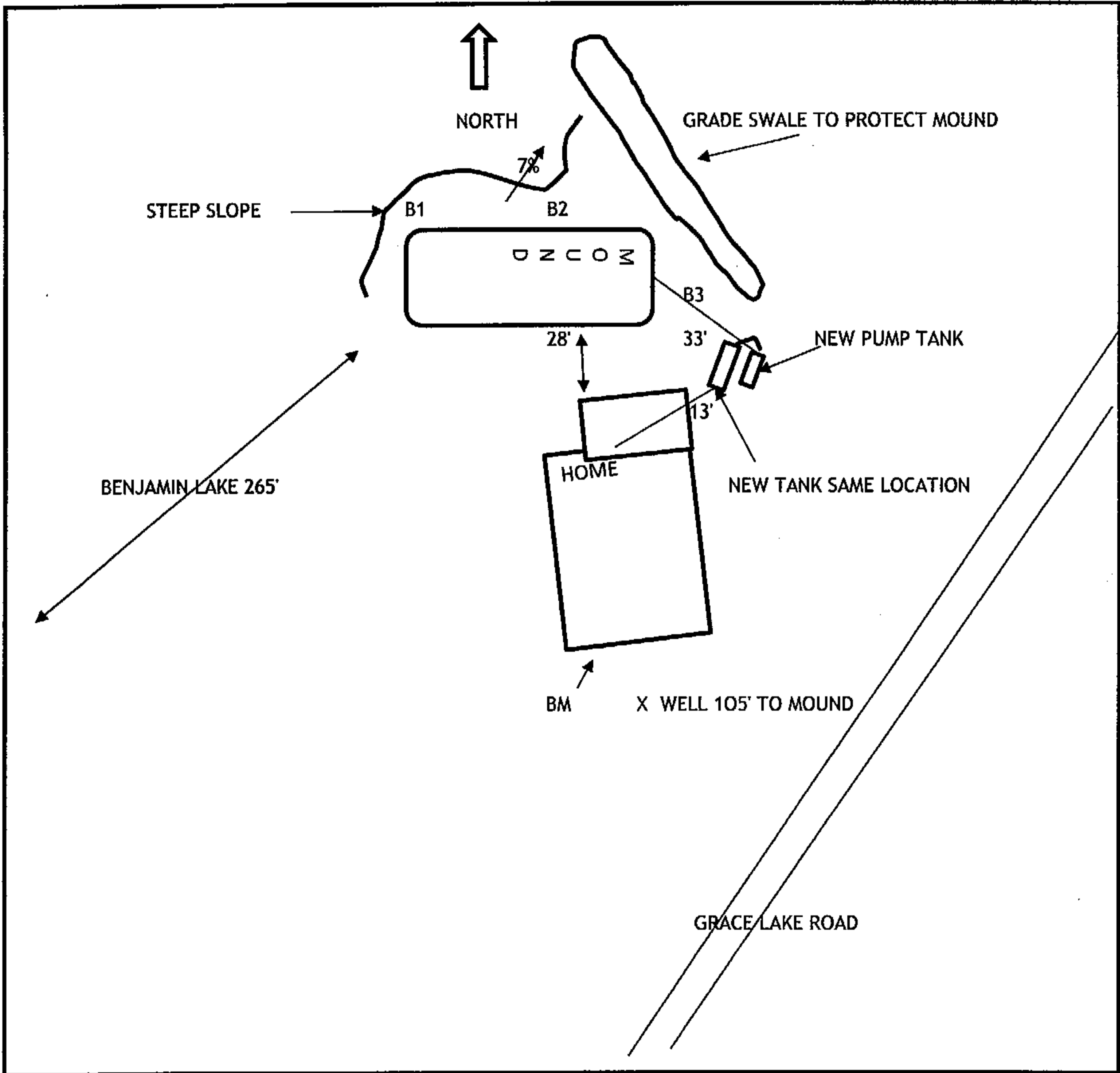
Site evaluation issues / comments:

Anticipated construction issues:

Project ID:

v 03.15.2023

Property Owner/Client: MILLE LACS BAND OF OJIBWE



Map scale:

Indicated north

Show slope/contours

Elevations in feet

Benchmark:  ft

System Corners:

Soil Observation:

NW:	<input type="text" value="98.22"/>	ft
NE:	<input type="text" value="97.3"/>	ft
SW:	<input type="text" value="98.5"/>	ft
SE:	<input type="text" value="97.95"/>	ft

#1:	<input type="text" value="97.9"/>	ft
#2:	<input type="text" value="96.4"/>	ft
#3:	<input type="text" value="97.6"/>	ft
#4:	<input type="text"/>	ft

Tank Inlet	<input type="text" value="93.5"/>	ft
Other:	<input type="text"/>	ft
<u>Pump Tank Inlet</u>	<input type="text" value="93"/>	ft
<input type="text"/>	<input type="text"/>	ft

Date Completed:

# Soil Observation Log

Project ID: v 03.15.2023

Client: MILLE LACS BAND OF OJIBWE Location / Address: 46145 GRACE LAKE RD SANDSTONE MN.

Soil parent material(s): (Check all that apply)  Outwash  Lacustrine  Loess  Till  Alluvium  Bedrock  Organic Matter  Disturbed/Fill

Landscape Position: Shoulder Slope shape: Linear, Linear Flooding/Run-On potential: Surface Elevation-Relative to benchmark: 97.9

Vegetation: Lawn Soil survey map units: NA Observation Type: Pit

Date/Time of Day/Weather Conditions: 7/5/2023 9:30 AM PC DRY Limiting Layer Elevation: 97.9

Observation #/Location: 1 SW

Depth (in)	Texture	Rock Frag. %	Matrix Color(s)	Mottle Color(s)	Redox Kind(s)	Indicator(s)	Structure		Consistence
							Shape	Grade	
0-4	Fill Soil	2	10YR 3/2				Blocky	Weak	Friable
4-12	Fill Soil	2	7.5YR 4/4				Platy	Weak	Friable
12-16	Loamy Fine Sand	2	10YR 3/2				Granular	Weak	Friable
16-38	Loamy Fine Sand	2	7.5YR 4/4				Platy	Weak	Friable
38-48	Loamy Fine Sand	2	7.5YR 4/6	2.5YR 5/6	Concentrations	S2	Platy	Weak	Friable

Comments: FILL SOIL IS LOAMY SAND

I hereby certify that I have completed this work in accordance with all applicable ordinances, rules and laws.

KEVIN HERWIG (Designer/Inspector) 3945 (License #) 7/5/2023 (Date)

Optional Verification: I hereby certify that this soil observation was verified according to Minn. R. 7082.0500 subp. 3 A. The signature below represents an infield verification of the periodically saturated soil or bedrock at the proposed soil treatment and dispersal site.

(LGU/Designer/Inspector) (Signature) (Cert #) (Date)



# Soil Observation Log

Project ID:

V 03.15.2023

Client: **MILLE LACS BAND OF OJIBWE** Location / Address: **46145 GRACE LAKE RD SANDSTONE MN.**

Soil parent material(s): (Check all that apply)  Outwash  Lacustrine  Loess  Till  Alluvium  Bedrock  Organic Matter  Disturbed/Fill

Landscape Position: **Shoulder** Slope shape: **Linear, Linear** Slope %: **7.0** Flooding/Run-On potential: \_\_\_\_\_

Vegetation: **Lawn** Soil survey map units: **NA** Surface Elevation-Relative to benchmark: **96.4**

Date/Time of Day/Weather Conditions: **7/5/2023 9:30 AM** PC DRY Limiting Layer Elevation: **96.4**

Depth (in)	Texture	Rock Frag. %	Matrix Color(s)	Mottle Color(s)	Redox Kind(s)	Indicator(s)	Structure		Consistence
							Shape	Grade	
0-4	Fill Soil	2	10YR 3/2				Blocky	Weak	Friable
4-24	Fill Soil	2	7.5YR 4/4				Platy	Weak	Friable
24-29	Loamy Fine Sand	2	10YR 3/2				Granular	Weak	Friable
29-42	Loamy Fine Sand	2	7.5YR 4/4				Platy	Weak	Friable
42-52	Loamy Fine Sand	2	7.5YR 4/6	2.5YR 5/6	Concentrations	S2	Platy	Weak	Friable

Comments: **FILL SOIL IS LOAMY SAND**

I hereby certify that I have completed this work in accordance with all applicable ordinances, rules and laws.

**KEVIN HERWIG** (Designer/Inspector) **3945** (License #) **7/5/2023** (Date)

*[Signature]* (Signature)

Optional Verification: I hereby certify that this soil observation was verified according to Minn. R. 7082.0500 subp. 3 A. The signature below represents an infield verification of the periodically saturated soil or bedrock at the proposed soil treatment and dispersal site.

\_\_\_\_\_  
(LGU/Designer/Inspector) (Signature) (Cert #) (Date)



# Soil Observation Log

Project ID: \_\_\_\_\_ v 03.15.2023

Client: **MILLE LACS BAND OF OJIBWE** Location / Address: **46145 GRACE LAKE RD SANDSTONE MN.**

Soil parent material(s): (Check all that apply)  Outwash  Lacustrine  Loess  Till  Alluvium  Bedrock  Organic Matter  Disturbed/Fill

Landscape Position: **Shoulder** Slope %: **7.0** Slope shape: **Linear, Linear** Flooding/Run-On potential: \_\_\_\_\_

Vegetation: **Lawn** Soil survey map units: **NA** Surface Elevation-Relative to benchmark: **97.6**

Date/Time of Day/Weather Conditions: **7/5/2023 9:30 AM** PC DRY Limiting Layer Elevation: **97.6**

Observation #/Location: **3** **NC** Observation Type: **Pit**

Depth (in)	Texture	Rock Frag. %	Matrix Color(s)	Mottle Color(s)	Redox Kind(s)	Indicator(s)	Structure		Consistence
							Shape	Grade	
0-4	Fill Soil	2	10YR 3/2				Blocky	Weak	Friable
4-28	Fill Soil	2	10YR 4/3				Platy	Weak	Friable
28-36	Fill Soil	2	7.5YR 4/3				Platy	Weak	Friable
36-44	Loamy Fine Sand	2	7.5YR 4/6				Granular	Weak	Friable

Comments: **FILL SOIL IS LOAMY SAND**

I hereby certify that I have completed this work in accordance with all applicable ordinances, rules and laws.

**KEVIN HERWIG** (Designer/Inspector) **3945** (License #) **7/6/2023** (Date)

*[Signature]* (Signature)

Optional Verification: I hereby certify that this soil observation was verified according to Minn. R. 7082.0500 subp. 3 A. The signature below represents an infield verification of the periodically saturated soil or bedrock at the proposed soil treatment and dispersal site.

\_\_\_\_\_  
(LGU/Designer/Inspector) \_\_\_\_\_ (Cert #) \_\_\_\_\_ (Date)



<b>1. PROJECT INFORMATION</b>		v 03.15.2023
Property Owner/Client:	<input type="text" value="MILLE LACS BAND OF OJIBWE"/>	Project ID: <input type="text"/>
Site Address:	<input type="text" value="46145 GRACE LAKE RD SANDSTONE MN."/>	Date: <input type="text" value="07/05/23"/>
Email Address:	<input type="text"/>	Phone: <input type="text"/>
<b>2. DESIGN FLOW &amp; WASTE STRENGTH</b> <i>Attach waste strength data/estimated strength for Other Establishments</i>		
Design Flow:	<input type="text" value="600"/> GPD	Anticipated Waste Type: <input type="text" value="Residential"/>
BOD:	<input type="text" value="170"/> mg/L	TSS: <input type="text" value="60"/> mg/L
		Oil & Grease: <input type="text" value="25"/> mg/L
Treatment Level:	<input type="text"/> <i>Select Treatment Level C for residential septic tank effluent</i>	
<b>3. HOLDING TANK SIZING</b>		
Minimum Capacity: Residential =1000 gal or 400 gal/bedroom, Other Establishment = Design Flow x 5.0, Minimum size 1000 gallons		
Code Minimum Holding Tank Capacity:	<input type="text"/> Gallons	with <input type="text"/> Tanks or Compartments
Recommended Holding Tank Capacity:	<input type="text"/> Gallons	with <input type="text"/> Tanks or Compartments
Type of High Level Alarm:	<input type="text"/> (Set @ 75% tank capacity)	
Comments:	<input type="text"/>	
<b>4. SEPTIC TANK SIZING</b>		
<b>A. Residential dwellings:</b>		
Number of Bedrooms (Residential):	<input type="text" value="4"/>	
Code Minimum Septic Tank Capacity:	<input type="text" value="1500"/> Gallons	with <input type="text" value="1"/> Tanks or Compartments
Recommended Septic Tank Capacity:	<input type="text" value="2250"/> Gallons	with <input type="text" value="2"/> Tanks or Compartments
Effluent Screen & Alarm (Y/N):	<input type="text" value="Yes"/>	Model/Type: <input type="text" value="POLYLOK PL-122 WITH ALARM"/>
<b>B. Other Establishments:</b>		
Waste received by:	<input type="text"/>	<input type="text"/> GPD x <input type="text"/> Days Hyd. Retention Time
Code Minimum Septic Tank Capacity:	<input type="text"/> Gallons	with <input type="text"/> Tanks or Compartments
Recommended Septic Tank Capacity:	<input type="text"/> Gallons	with <input type="text"/> Tanks or Compartments
Effluent Screen & Alarm (Y/N):	<input type="text"/>	Model/Type: <input type="text"/>
* Other Establishments Require Department of Labor and Industry Approval and Inspection for Building Sewer *		
<b>5. PUMP TANK SIZING</b>		
<b>Soil Treatment Dosing Tank</b>		<b>Other Component Dosing Tank:</b>
Pump Tank Capacity (Minimum):	<input type="text" value="500"/> Gal	Pump Tank Capacity (Minimum): <input type="text"/> Gal
Pump Tank Capacity (Recommended):	<input type="text" value="1000"/> Gal	Pump Tank Capacity (Recommended): <input type="text"/> Gal
Pump Req:	<input type="text" value="38.0"/> GPM	Total Head: <input type="text" value="20.5"/> ft
Supply Pipe Dia.	<input type="text" value="2.00"/> in	Dose Vol: <input type="text" value="150.0"/> gal
		Supply Pipe Dia. <input type="text"/> in
		Dose Vol: <input type="text"/> Gal
* Flow measurement device must be incorporated for any system with a pump: Elapsed Time Meter and/or Event Counter *		

<b>6. SYSTEM AND DISTRIBUTION TYPE</b>		Project ID:	
Soil Treatment Type:	<input type="text" value="Mound"/>	Distribution Type:	<input type="text" value="Pressure Distribution-Level"/>
Elevation Benchmark:	<input type="text" value="100.0"/> ft	Benchmark Location:	<input type="text" value="BOTTOM OF SIDING"/>
MPCA System Type:	<input type="text" value="Type III"/>	Distribution Media:	<input type="text" value="Rock"/>
Type III/IV/V Details:	<input type="text" value="LOAMY SAND FILL MATERIAL"/>		

**7. SITE EVALUATION SUMMARY:**

Describe Limiting Condition:

Layers with >35% Rock Fragments? (yes/no)  If yes, describe below: % rock and layer thickness, amount of soil credit and any additional information for addressing the rock fragments in this design.

Note:

	Depth	Depth	Elevation of Limiting Condition	
Limiting Condition:	<input type="text" value="0"/> inches	<input type="text" value="0.0"/> ft	<input type="text" value="98.50"/> ft	<b>Critical for system compliance</b>
Minimum Req'd Separation:	<input type="text" value="36"/> inches	<input type="text" value="3.0"/> ft		<i>Distribution Elevation &gt;Code Max Depth</i>
Code Max System Depth*:	<input type="text" value="Mound"/> inches	<input type="text" value="-3.0"/> ft	<input type="text" value="101.50"/> ft	Elevation OK

\*This is the maximum depth to the bottom of the distribution media for required separation. Negative Depth (ft) requires a mound.

Designed Distribution Elevation:  ft    Minimum Sand Depth:  inches

---

A. Soil Texture:     B. Organic Loading Rate (optional):  lbs/sq.ft/day    0

C. Soil Hyd. Loading Rate:  GPD/ft<sup>2</sup>    D: Percolation Rate:  MPI

E. Contour Loading Rate:     Note:

F. Measured Land Slope:  %    Note:

Comments:

**8. SOIL TREATMENT AREA DESIGN SUMMARY**

**Trench:**

Dispersal Area	<input type="text" value=""/> sq.ft	Sidewall Depth	<input type="text" value=""/> in	Trench Width	<input type="text" value=""/> ft
Total Lineal Feet	<input type="text" value=""/> ft	No. of Trenches	<input type="text" value=""/>	Code Max. Trench Depth	<input type="text" value=""/> in
Contour Loading Rate	<input type="text" value=""/> ft	Minimum Length	<input type="text" value=""/> ft	Designed Trench Depth	<input type="text" value=""/> in

---

**Bed:**

Dispersal Area	<input type="text" value=""/> sq.ft	Sidewall Depth	<input type="text" value=""/> in	Maximum Bed Depth	<input type="text" value=""/> in
Bed Width	<input type="text" value=""/> ft	Bed Length	<input type="text" value=""/> ft	Designed Bed Depth	<input type="text" value=""/> in

---

**Mound:**

Dispersal Area	<input type="text" value="500.0"/> sq.ft	Bed Length	<input type="text" value="50.0"/> ft	Bed Width	<input type="text" value="10.0"/> ft
Absorption Width	<input type="text" value="18.0"/> ft	Clean Sand Lift	<input type="text" value="3.0"/> ft	Berm Width (0-1%)	<input type="text" value=""/> ft
Upslope Berm Width	<input type="text" value="12.2"/> ft	Downslope Berm	<input type="text" value="21.3"/> ft	Endslope Berm Width	<input type="text" value="16.8"/> ft
Total System Length	<input type="text" value="83.6"/> ft	System Width	<input type="text" value="43.4"/> ft	Contour Loading Rate	<input type="text" value="12.0"/> gal/ft



Project ID: \_\_\_\_\_

**At-Grade:**

Dispersal Area  sq.ft      Bed Length  ft      Bed Width  ft  
 Upslope Berm  ft      Downslope Berm  ft      Finished Height  ft  
 System Length  ft      Endslope Berm  ft      System Width  ft

**Level & Equal Pressure Distribution Soil Treatment Area**

No. of Laterals       Lateral Diameter  in      Lateral Spacing  ft  
 Perforation Spacing  ft      Perforation Diameter  in      Drainback Volume  gal  
 Min Dose Volume  gal      Max Dose Volume  gal      Total Dosing Volume  gal

**Non-Level and Unequal Pressure Distribution Soil Treatment Area**

	Elevation (ft)	Pipe Size (in)	Pipe Volume (gal/ft)	Pipe Length (ft)	Perf Size (in)	Spacing (ft)	Spacing (in)	Minimum Dose Volume <input type="text"/> gal
Lateral 1								
Lateral 2								
Lateral 3								
Lateral 4								
Lateral 5								
Lateral 6								
								Maximum Dose Volume <input type="text"/> gal
								Total Dosing Volume <input type="text"/> gal

**9. Organic Loading and Additional Info for At-Risk, HSW or Type IV Design**

**Organic Loading to Soil Treatment**

A. Starting BOD Concentration = Design Flow X 0.7 X Starting BOD (mg/L) X 8.35 ÷ 1,000,000

gpd X  mg/L X 8.35 ÷ 1,000,000 =  lbs. BOD/day (Organic Loading Design)

B. Organic Loading to Soil Treatment Area: (enter loading value in 7B)

mg/L X  gpd X 0.7 X 8.35 ÷ 1,000,000 ÷  sq.ft =  lbs./day/sqft

**HSW Technology Strength Reduction**

A. Starting BOD Concentration = Design Flow X Starting BOD (mg/L) X 8.35 ÷ 1,000,000

gpd X  mg/L X 8.35 ÷ 1,000,000 =  lbs. BOD/day (HSW Technology Design)

B. Target BOD Concentration = Design Flow X Target BOD (mg/L) X 8.35 ÷ 1,000,000

gpd X  mg/L X 8.35 ÷ 1,000,000 =  lbs. BOD/day (HSW Technology Design)

Lbs. BOD To Be Removed:  lbs. BOD/day (HSW Technology Design)

Pretreatment Technology:  \*Must Meet or Exceed Target

Disinfection Technology:  \*Required for Levels A & B

**10. Comments/Special Design Considerations:**

I hereby certify that I have completed this work in accordance with all applicable ordinances, rules and laws.

KEVIN HERWIG  
(Designer)

(Signature)

3945  
(License #)

7/5/2023  
(Date)

**1. SYSTEM SIZING:** Project ID: \_\_\_\_\_ v 03.15.2023

- A. Design Flow:  GPD
- B. Soil Loading Rate:  GPD/sqft
- C. Depth to Limiting Condition:  ft
- D. Percent Land Slope:  %
- E. Media (Sand) Loading Rate:  GPD/sqft
- F. Mound Absorption Ratio:

TABLE IXa				
LOADING RATES FOR DETERMINING BOTTOM ABSORPTION AREA AND ABSORPTION RATIOS USING PERCOLATION TESTS				
Percolation Rate (MPI)	Treatment Level C		Treatment Level A, A-2, B,	
	Absorption Area Loading Rate (gal/ft <sup>2</sup> )	Mound Absorption Ratio	Absorption Area Loading Rate (gal/ft <sup>2</sup> )	Mound Absorption Ratio
<0.1	-	1	-	1
0.1 to 5	1.2	1	1.8	1
0.1 to 5 (fine sand and loamy fine sand)	0.6	2	1	1.6
6 to 16	0.78	1.5	1	1.6
16 to 30	0.6	2	0.78	2
31 to 45	0.5	2.4	0.78	2
46 to 60	0.45	2.6	0.6	2.6
61 to 120	-	5	0.3	5.3
>120	-	-	-	-

Table I MOUND CONTOUR LOADING RATES:			
Measured Perc. Rate	OR	Texture-derived mound absorption ratio	Contour Loading Rate:
≤ 60mpi	← →	1.0, 1.3, 2.0, 2.4, 2.6	→ ≤12
61-120 mpi	← OR →	5.0	→ ≤12
≥ 120 mpi*	← →	>5.0*	→ ≤6*

\*Systems with these values are not Type I systems. Contour Loading Rate (linear loading rate) is a recommended value.

**2. DISPERSAL MEDIA SIZING**

A. Hydraulic Absorption Required Bottom Area: Design Flow (1A) ÷ Design Media Loading Rate(1E)

$$\frac{600 \text{ GPD}}{1.2 \text{ GPD/sqft}} = 500 \text{ sq.ft}$$

**Organic Sizing (OPTIONAL)**

B. Organic Absorption Bed Area = Organic Loading (Summary 9A) ÷ Organic Soil Loading Rate (Summary 7B)

$$\text{[ ] lbs BOD} \div \text{[ ] lbs BOD/sq.ft} = \text{[ ] sq.ft}$$

C. Required Bed Area = Greater of Hydraulic (1D) or Organic Bed Area (1E)  sq.ft

D. Designed Dispersal Media Area:  sq.ft *Optional upsizing of area to be larger than 2C*

B. Enter Dispersal Bed Width:  ft *Can not exceed 10 feet*

C. Calculate Contour Loading Rate: Bed Width(2B) X Design Media Loading Rate(1E)

$$10 \text{ ft} \times 1.2 \text{ GPD/sqft} = 12.0 \text{ gal/ft} \quad \text{Can not exceed Table 1}$$

D. Calculate Minimum Dispersal Bed Length: Dispersal Bed Area(2A) ÷ Bed Width(2B)

$$500 \text{ sqft} \div 10.0 \text{ ft} = 50.0 \text{ ft}$$

If a larger dispersal media Length is desired, enter size:  ft

**3. ABSORPTION AREA SIZING**

A. Calculate Absorption Width: Bed Width(2B) X Mound Absorption Ratio(1F)

$$10.0 \text{ ft} \times 1.8 = 18.0 \text{ ft}$$

B. For slopes >1%, the Absorption Width is measured downhill from the upslope edge of the Bed.

Calculate Downslope Absorption Width: Absorption Width(1F) - Bed Width(2B)

$$18.0 \text{ ft} - 10.0 \text{ ft} = 8.0 \text{ ft}$$

**4. DISTRIBUTION MEDIA:** Project ID:

Select Dispersal Media:  Enter Either 4A or 4B

A. Rock Depth Below Distribution Pipe  
 in

B. Registered Media   
 Registered Media Depth  in  
 Specific Media Comments:

*Check registered product information for specific application details and design*

**5. MOUND SIZING** Project ID:

A. Clean Sand Lift: Required Separation - Depth to Limiting Condition = Clean Sand Lift (1 ft minimum)  
 ft -  ft =  ft Design Sand Lift (optional):  ft

B. Upslope Height: Clean Sand Lift(6A) + Depth of Media(4AorB) +Depth to Cover Pipe+ Depth of Cover (1 ft)  
 ft +  ft +  ft +  ft =  ft

Land Slope %	0	1	2	3	4	5	6	7	8	9	10	11	12
Upslope Berm Ratio 3:1	3.00	2.91	2.83	2.75	2.68	2.61	2.54	2.48	2.42	2.36	2.31	2.26	2.21
Upslope Berm Ratio 4:1	4.00	3.85	3.70	3.57	3.45	3.33	3.23	3.12	3.03	2.94	2.86	2.78	2.70

C. Select Upslope Berm Multiplier (based on land slope):

D. Calculate Upslope Berm Width: Multiplier (5C) X Upslope Mound Height (5B)  
 X  ft =  ft

E. Calculate Drop in Elevation Under Bed: Bed Width(2B) X Land Slope(1D) ÷ 100 = Drop (ft)  
 ft X  % ÷ 100 =  ft

F. Calculate Downslope Mound Height: Upslope Height(5B) + Drop in Elevation(5E)  
 ft +  ft =  ft

Land Slope %	0	1	2	3	4	5	6	7	8	9	10	11	12
Downslope Berm Ratio 3:1	3.00	3.09	3.19	3.30	3.41	3.53	3.66	3.80	3.95	4.11	4.29	4.48	4.69
Downslope Berm Ratio 4:1	4.00	4.17	4.35	4.54	4.76	5.00	5.26	5.56	5.88	6.25	6.67	7.14	7.69

G. Select Downslope Berm Multiplier (based on land slope):

H. Calculate Downslope Berm Width: Downslope Multiplier(5G) X Downslope Height (5F)  
 x  ft =  ft

I. Calculate Minimum Berm to Cover Absorption Area: Downslope Absorption Width(3A) + 4 feet  
 ft +  ft =  ft

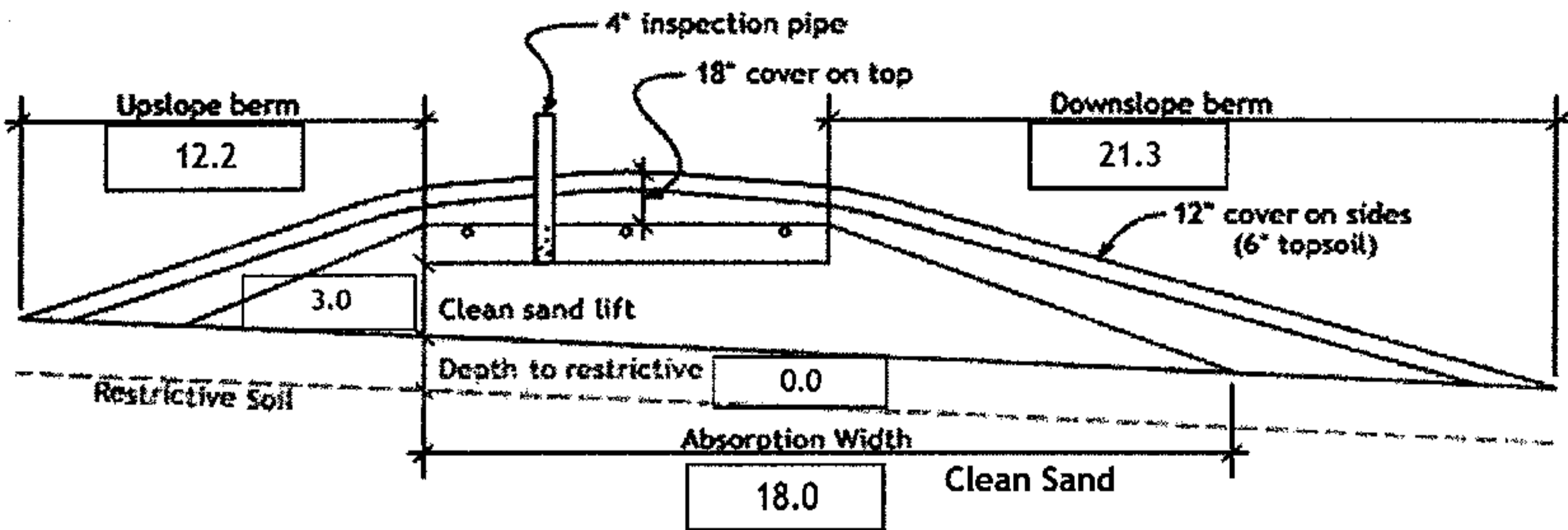
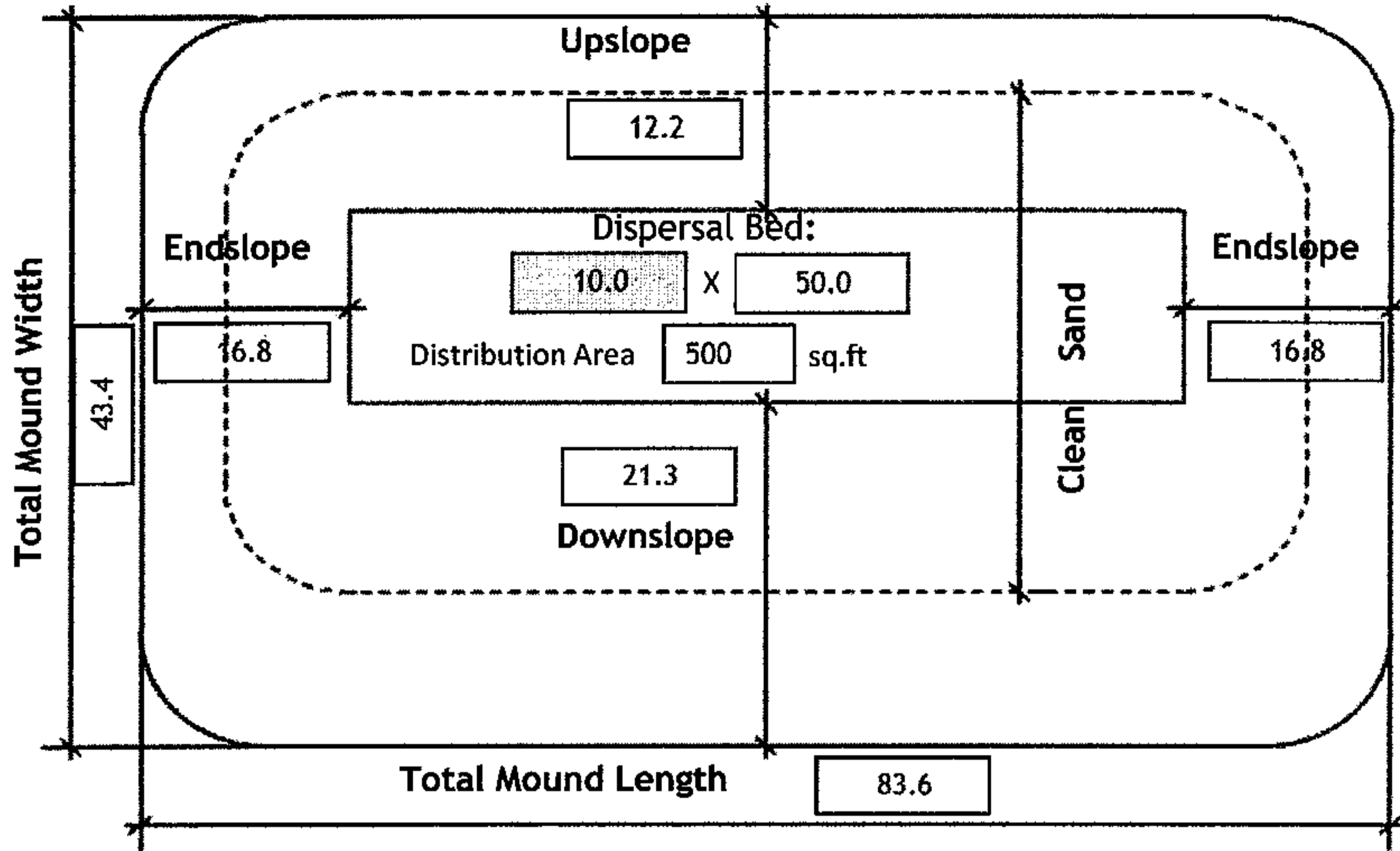
J. Design Downslope Berm = greater of 5H and 5I:  ft

K. Select Endslope Berm Multiplier:  (usually 3.0 or 4.0)

L. Calculate Endslope Berm Width = Endslope Berm Multiplier(5K) X Downslope Mound Height(5F)  
 X  ft =  ft

M. Calculate Mound Width: Upslope Berm Width(5D) + Bed Width(2B) + Downslope Berm Width(5J)  
 ft +  ft +  ft =  ft

N. Calculate Mound Length: Endslope Berm Width (5L) + Bed Length(2D) + Endslope Berm Width(5L)  
 ft +  ft +  ft =  ft



Required Separation:	<input type="text" value="36"/> (in)	Elevation to Benchmark
Distribution Media:	<input type="text" value="Rock"/>	Elevation Limiting Layer: <input type="text" value="98.5"/> ft
Media Depth:	<input type="text" value="6.0"/> (in)	Elevation required Separation: <input type="text" value="101.5"/> ft
Manifold Connection:	<input type="text" value="End"/>	Elevation Distribution Media Bottom: <input type="text" value="101.5"/> ft
Lateral Pipe Diameter:	<input type="text" value="2.00"/> (in)	Elevation Top of Media(min): <input type="text" value="102.4"/> ft
Perforation Size:	<input type="text" value="1/4"/> (in)	Elevation Top of System(min): <input type="text" value="103.4"/> ft
	Perforation Spacing: <input type="text" value="36.0"/> (in)	

If Split and Non-Level Pressure Distribution Used: See Non-Level Pressure Distribution Form

**Comments:**



Project ID:

v 03.15.2023

**A. Rock Volume :** (Rock Below Pipe + Rock to cover pipe (pipe outside dia + ~2 inch)) X Bed Length X Bed Width = Volume

$$(\boxed{6} \text{ in} + \boxed{\phantom{00}} \text{ in}) \div 12 \times \boxed{50.0} \text{ ft} \times \boxed{10.0} \text{ ft} = \boxed{250.0} \text{ cu.ft}$$

Divide cu.ft by 27 cu.ft/cu.yd to calculate cubic yards:  $\boxed{250.0} \text{ cu.ft} \div 27 = \boxed{9.3} \text{ cu.yd}$

Add 30% for constructability:  $\boxed{9.3} \text{ cu.yd} \times 1.3 = \boxed{12.0} \text{ cu.yd}$

**B. Calculate Clean Sand Volume:**

Volume Under Rock bed : Average Sand Depth x Media Width x Media Length = cubic feet

$$\boxed{3.4} \text{ ft} \times \boxed{10.0} \text{ ft} \times \boxed{50} \text{ ft} = \boxed{1675} \text{ cu.ft}$$

**For a Mound on a slope from 0-1%**

Volume from Length = ((Upslope Mound Height - 1) X Absorption Width Beyond Bed X Media Bed Length)

$$\boxed{\phantom{00}} \text{ ft} - 1) \times \boxed{\phantom{00}} \times \boxed{\phantom{00}} \text{ ft} = \boxed{\phantom{00}}$$

Volume from Width = ((Upslope Mound Height - 1) X Absorption Width Beyond Bed X Media Bed Width)

$$\boxed{\phantom{00}} \text{ ft} - 1) \times \boxed{\phantom{00}} \times \boxed{\phantom{00}} \text{ ft} = \boxed{\phantom{00}}$$

Total Clean Sand Volume : Volume from Length + Volume from Width + Volume Under Media

$$\boxed{\phantom{00}} \text{ cu.ft} + \boxed{\phantom{00}} \text{ cu.ft} + \boxed{\phantom{00}} \text{ cu.ft} = \boxed{\phantom{00}} \text{ cu.ft}$$

**For a Mound on a slope greater than 1%**

Upslope Volume : ((Upslope Mound Height - 1) x 3 x Bed Length) ÷ 2 = cubic feet

$$((\boxed{4.9} \text{ ft} - 1) \times 3.0 \text{ ft} \times \boxed{50.0}) \div 2 = \boxed{292.5} \text{ cu.ft}$$

Downslope Volume : ((Downslope Height - 1) x Downslope Absorption Width x Media Length) ÷ 2 = cubic feet

$$((\boxed{5.6} \text{ ft} - 1) \times \boxed{8.0} \text{ ft} \times \boxed{50.0}) \div 2 = \boxed{920.0} \text{ cu.ft}$$

Endslope Volume : (Downslope Mound Height - 1) x 3 x Media Width = cubic feet

$$(\boxed{5.6} \text{ ft} - 1) \times 3.0 \text{ ft} \times \boxed{10.0} \text{ ft} = \boxed{138.0} \text{ cu.ft}$$

Total Clean Sand Volume : Upslope Volume + Downslope Volume + Endslope Volume + Volume Under Media

$$\boxed{292.5} \text{ cu.ft} + \boxed{920.0} \text{ cu.ft} + \boxed{138.0} \text{ cu.ft} + \boxed{1675.0} \text{ cu.ft} = \boxed{3025.5} \text{ cu.ft}$$

Divide cu.ft by 27 cu.ft/cu.yd to calculate cubic yards:  $\boxed{3025.5} \text{ cu.ft} \div 27 = \boxed{112.1} \text{ cu.yd}$

Add 30% for constructability:  $\boxed{112.1} \text{ cu.yd} \times 1.3 = \boxed{145.7} \text{ cu.yd}$

**C. Calculate Sandy Berm Volume:**

Total Berm Volume (approx.) : ((Avg. Mound Height - 0.5 ft topsoil) x Mound Width x Mound Length) ÷ 2

$$(\boxed{5.3} - 0.5) \text{ ft} \times \boxed{43.4} \text{ ft} \times \boxed{83.6} \text{ ft} \div 2 = \boxed{8623.4} \text{ cu.ft}$$

Total Mound Volume - Clean Sand volume - Rock Volume = cubic feet

$$\boxed{8623.4} \text{ cu.ft} - \boxed{3025.5} \text{ cu.ft} - \boxed{250.0} \text{ cu.ft} = \boxed{5347.9} \text{ cu.ft}$$

Divide cu.ft by 27 cu.ft/cu.yd to calculate cubic yards:  $\boxed{5347.9} \text{ cu.ft} \div 27 = \boxed{198.1} \text{ cu.yd}$

Add 30% for constructability:  $\boxed{198.1} \text{ yd}^3 \times 1.3 = \boxed{257.5} \text{ cu.yd}$

**D. Calculate Topsoil Material Volume: Total Mound Width X Total Mound Length X .5 ft**

$$\boxed{43.4} \text{ ft} \times \boxed{83.6} \text{ ft} \times 0.5 \text{ ft} = \boxed{1815.5} \text{ cu.ft}$$

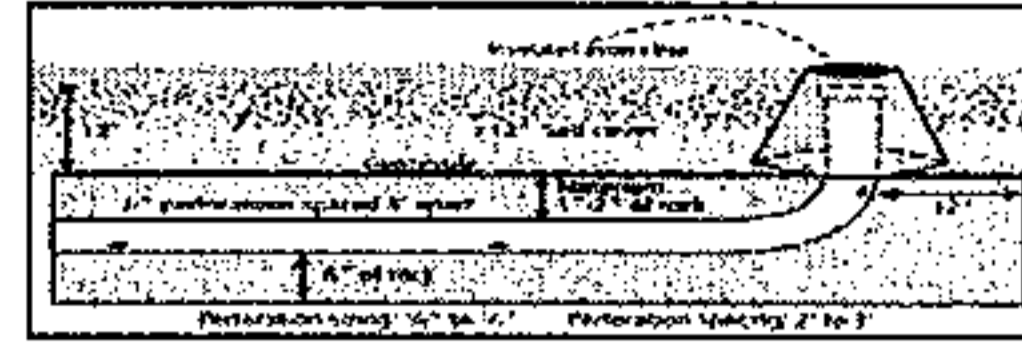
Divide cu.ft by 27 cu.ft/cu.yd to calculate cubic yards:  $\boxed{1815.5} \text{ cu.ft} \div 27 = \boxed{67.2} \text{ cu.yd}$

Add 30% for constructability:  $\boxed{67.2} \text{ cu.yd} \times 1.3 = \boxed{87.4} \text{ cu.yd}$

Project ID:

v 03.15.2023

- Media Bed Width:  ft
- Minimum Number of Laterals in system/zone = Rounded up number of  $[(\text{Media Bed Width} - 4) \div 3] + 1$ .  
 $[(\text{ } 10 \text{ } - 4) \div 3] + 1 = \text{ } 3 \text{ } \text{laterals}$  *Does not apply to at-grades*
- Designer Selected Number of Laterals:  laterals  
*Cannot be less than line 2 (Except in at-grades)*
- Select Perforation Spacing:  ft
- Select Perforation Diameter Size:  in
- Length of Laterals = Media Bed Length(1.) - 2 Feet.  
 - 2ft =  ft *Perforation can not be closer than 1 foot from edge.*
- Determine the Number of Perforation Spaces. Divide the Length of Laterals(6.) by the Perforation Spacing(4.) and round down to the nearest whole number.  
 Number of Perforation Spaces =  ft  $\div$   ft =  Spaces
- Number of Perforations per Lateral is equal to 1.0 plus the Number of Perforation Spaces(7.). Check table below to verify the number of perforations per lateral guarantees less than a 10% discharge variation. The value is double with a center manifold.  
 Perforations Per Lateral =  Spaces + 1 =  Perfs. Per Lateral

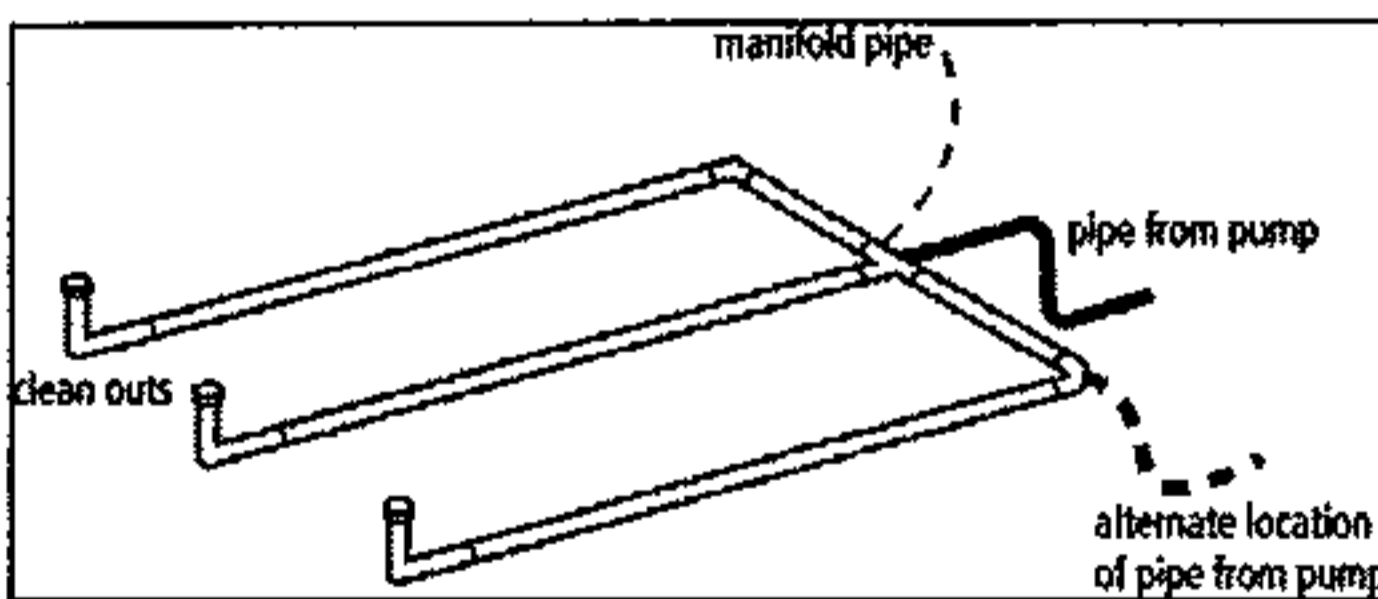


Maximum Number of Perforations Per Lateral to Guarantee <10% Discharge Variation

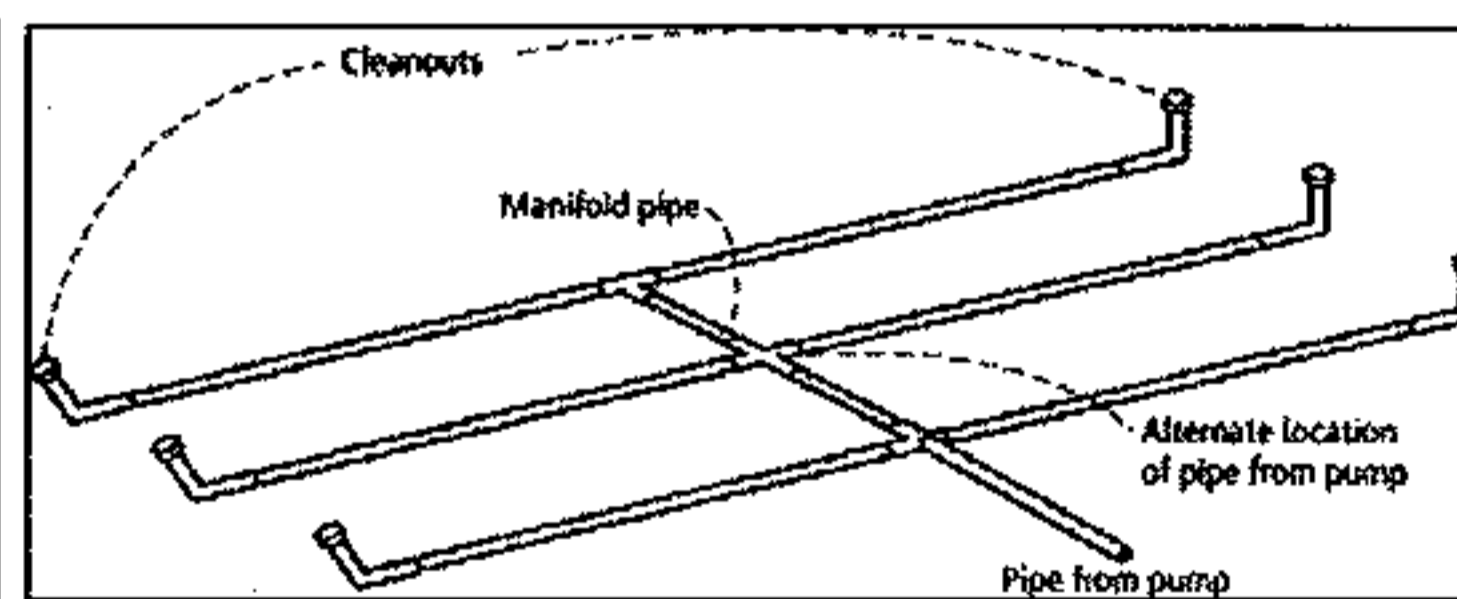
Perforation Spacing (Feet)	1/4 inch Perforations					7/32 inch Perforations					
	Pipe Diameter (Inches)					Perforation Spacing (Feet)	Pipe Diameter (Inches)				
	1	1 1/4	1 1/2	2	3			1	1 1/4	1 1/2	2
2	10	13	18	30	40	2	11	16	21	34	68
2 1/2	8	12	16	28	54	2 1/2	10	14	20	32	64
3	8	12	16	25	52	3	9	14	19	30	60

Perforation Spacing (Feet)	3/16 inch Perforations					1/8 inch Perforations					
	Pipe Diameter (Inches)					Perforation Spacing (Feet)	Pipe Diameter (Inches)				
	1	1 1/4	1 1/2	2	3			1	1 1/4	1 1/2	2
2	12	18	24	46	87	2	21	33	44	74	149
2 1/2	12	17	24	40	80	2 1/2	20	30	41	69	135
3	12	16	22	37	75	3	20	29	38	64	128



END Connection



CENTER Connection

Perf Per Lateral: 17

Perf Per Lateral Equal Split: 9 | 8

OPTIONAL Perf Per Lateral Non-Equal Split\*:        |       

\* must not exceed maximum number perfs per lateral in table

- Total Number of Perforations equals the Number of Perforations per Lateral (8.) multiplied by the Number of Perforated Laterals.(3.)

Perf. Per Lat. X  Number of Perf. Lat. =  Total Number of Perf.

- Spacing of laterals; Must be greater than 1 foot and no more than 3 feet:  ft

- Select Type of Manifold Connection (End or Center):  *If Center Manifold Connection the max number of perfs per lateral in the table can be doubled.*

- Select Lateral Diameter (See Table):  in

13. Calculate the *Square Feet per Perforation*.

*Recommended value is 4-11 ft<sup>2</sup> per perforation, Does not apply to At-Grades*

a. *Bed Area* = Bed Width (ft) X Bed Length (ft)

ft X  ft =  sq.ft

b. *Square Foot per Perforation* = *Bed Area* ÷ by the *Total Number of Perfs*

sqft ÷  perf =  sq.ft/perf

14. Select *Minimum Average Head*:

ft

15. Select *Perforation Discharge* based on Table:

GPM per Perf

16. *Flow Rate* = *Total Number of Perfs*(9.) X *Perforation Discharge*(15.)

Perfs X  GPM per Perforation =  GPM

17. *Volume of Liquid Per Foot of Distribution Piping* (Table II):

Gallons/ft

18. *Volume of Distribution Piping* = *Number of Perforated Laterals*(3.) X *Length of Laterals*(6.) X *Volume of Liquid Per Foot of Distribution Piping* (17.)

X  ft X  gal/ft =  Gallons

19. *Minimum Delivered Volume* = *Volume of Distribution Piping* X 4

gals X 4 =  Gallons

20. *Maximum Delivered Volume* = *Design flow* x 25%

gpd X 25% =  Gallons

21. *Minimum Delivered vs Maximum Delivered* evaluation:

Perforation Discharge (GPM)				
Head (ft)	Perforation Diameter			
	1/8	3/16	7/32	1/4
1.0'	0.19	0.41	0.56	0.74
1.5	0.22	0.31	0.49	0.9
2.0'	0.26	0.39	0.60	1.04
2.5	0.29	0.45	0.69	1.17
3.0	0.32	0.52	0.78	1.28
4.0	0.37	0.63	1.13	1.47
5.0'	0.41	0.73	1.26	1.69
1 foot	Dwellings with 3/16 inch to 1/4 inch perforations			
2 feet	Dwellings with 1/8 inch perforations Other establishments and NSTS with 3/16 inch to 1/4 inch perforations			
3 feet	Other establishments and NSTS with 1/8 inch perforations			

Pipe Diameter (Inches)	Liquid Per Foot (Gallons)
1	0.045
1.25	0.078
1.5	0.110
2	0.170
3	0.380
4	0.661

Comments/Special Design Considerations:

1. PUMP CAPACITY

Project ID:

v 03.15.2023

Pumping to Gravity or Pressure Distribution:

Pressure

A. If pumping to gravity enter the gallon per minute of the pump:

GPM (10 - 45 gpm)

B. If pumping to a pressurized distribution system:

38.0 GPM

C. Enter pump description:

Demand Dosing

2. HEAD REQUIREMENTS

A. Elevation Difference between pump and point of discharge:

14 ft

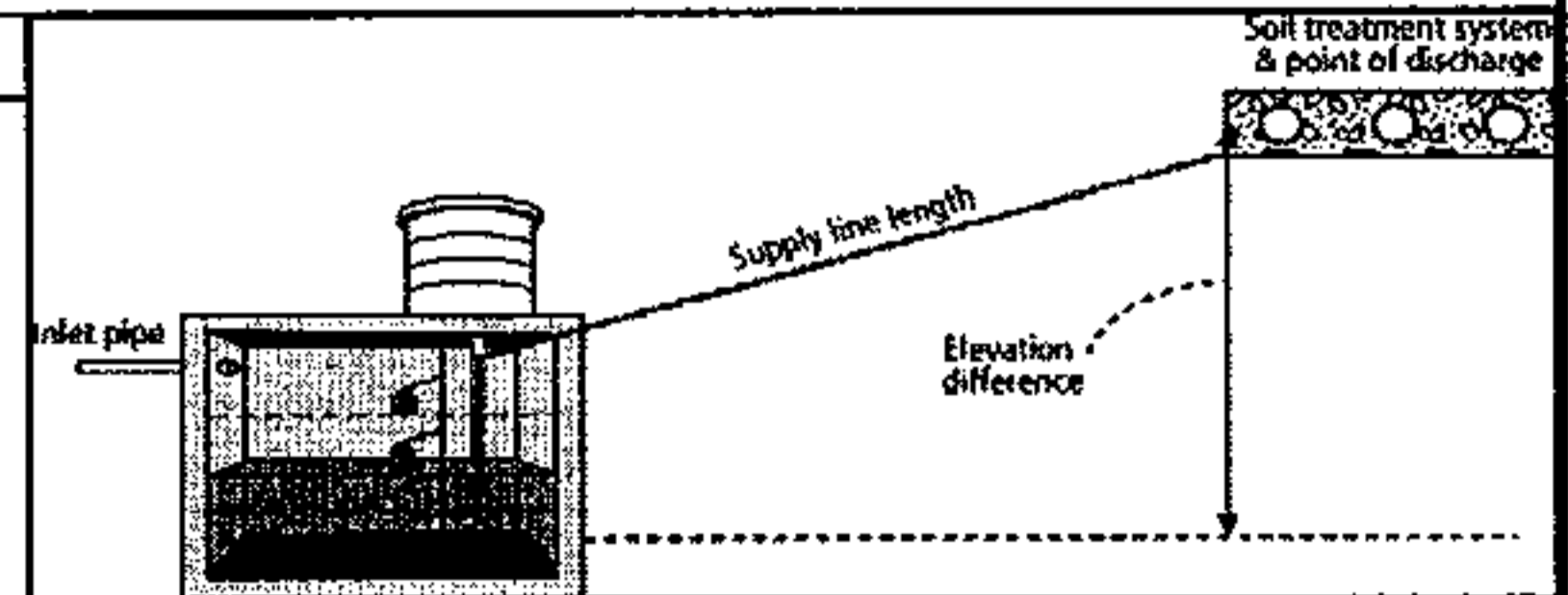
B. Distribution Head Loss:

5 ft

C. Additional Head Loss\*:

ft (due to special equipment, etc.)

\* Common additional head loss: gate valve = 1 ft each, globe valve = 1.5 ft each, splitter valve = see manufacturers details



Distribution Head Loss	
Gravity Distribution = 0ft	
Pressure Distribution based on Minimum Average Head Value on Pressure Distribution Worksheet:	
Minimum Average Head	Distribution Head Loss
1ft	5ft
2ft	6ft
5ft	10ft

Table I. Friction Loss in Plastic Pipe per 100ft

Flow Rate (GPM)	Pipe Diameter (inches)			
	1	1.25	1.5	2
10	9.1	3.1	1.3	0.3
12	12.8	4.3	1.8	0.4
14	17.0	5.7	2.4	0.6
16	21.8	7.3	3.0	0.7
18		9.1	3.8	0.9
20		11.1	4.6	1.1
25		16.8	6.9	1.7
30		23.5	9.7	2.4
35			12.9	3.2
40			16.5	4.1
45			20.5	5.0
50				6.1
55				7.3
60				8.6
65				10.0
70				11.4
75				13.0
85				16.4
95				20.1

D. 1. Supply Pipe Diameter:

2.0 in

2. Supply Pipe Length:

33 ft

E. Friction Loss in Plastic Pipe per 100ft from Table I:

Friction Loss = 3.67 ft per 100ft of pipe

F. Determine Equivalent Pipe Length from pump discharge to soil dispersal area discharge point. Estimate by adding 25% to supply pipe length for fitting loss. Supply Pipe Length X 1.25 = Equivalent Pipe Length

33 ft X 1.25 = 41.3 ft

G. Calculate Supply Friction Loss by multiplying Friction Loss Per 100ft(E.) by the Equivalent Pipe Length(F.) and divide by 100.

Supply Friction Loss =

3.67 ft per 100ft X 41.3 ft ÷ 100 = 1.5 ft

H. Total Head requirement is the sum of the Elevation Difference(2A) + Distribution Head Loss(2B) + Additional Head Loss(2C) + Supply Friction Loss(2G)

14.0 ft + 5.0 ft + ft + 1.5 ft = 20.5 ft

3. PUMP SELECTION

A pump must be selected to deliver at least 38.0 GPM with at least 20.5 feet of total head.

Comments:

**DETERMINE TANK CAPACITY AND DIMENSIONS** Project ID: v 03.15.2023

1. A. Design Flow (Design Sum. 1A): 600 GPD C. Tank Use: Dosing

B. Min. required pump tank capacity: 500 Gal D. Recommended pump tank capacity: 1000 Gal

2. A. Tank Manufacturer: BROWN-WILBERT B. Tank Model: 1000 GAL

C. Capacity from manufacturer: 1089 Gallons

D. Gallons per inch from manufacturer: 22.0 Gallons per inch

E. Liquid depth of tank from manufacturer: 48.0 inches

*Note: Design calculations are based on this specific tank. Substituting a different tank model will change the pump float or timer settings. Contact designer if changes are necessary.*

**DETERMINE DOSING VOLUME**

3. Calculate Volume to Cover Pump (The inlet of the pump must be at least 4-inches from the bottom of the pump tank & 2 inches of water covering the pump is recommended)

(Pump and block height + 2 inches) X Gallons Per Inch (2D)

( 12 in + 2 inches ) X 22.0 Gallons Per Inch = 308 Gallons

4. Minimum Delivered Volume = 4 X Volume of Distribution Piping:

-Item 19 of the Pressure Distribution STA or Item 11 of Non-level STA 98 Gallons (Minimum dose) 4.5 inches/dose

5. Calculate Maximum Pumpout Volume (25% of Design Flow(1A))

Design Flow: 600 GPD X 0.25 = 150 Gallons (Maximum dose) 6.8 inches/dose

6. Select a pumpout volume that meets both Minimum and Maximum: 150 Gallons

7. Calculate Doses Per Day = Design Flow(1A) ÷ Delivered Volume(6.)

600 gpd ÷ 150 gal = 4.00 Doses\*

\* Doses need to be equal to or greater than 4

8. Calculate Drainback:

A. Diameter of Supply Pipe = 2 inches

B. Length of Supply Pipe = 33 feet

C. Volume of Liquid Per Lineal Foot of Pipe = 0.170 Gallons/ft

D. Drainback = Length of Supply Pipe(8B) X Volume of Liquid Per Lineal Foot of Pipe(8C)

33 ft X 0.170 gal/ft = 5.6 Gallons

9. Total Dosing Volume = Delivered Volume(6.) + Drainback (8D)

150 gal + 5.6 gal = 156 Gallons

10. Minimum Alarm Volume = Depth of alarm (2 or 3 inches) X gallons per inch of tank(2D)

3 in X 22.0 gal/in = 66.0 Gallons

11. Reserve Capacity Volume = [Tank Liquid Depth(2E) - Alarm Float Depth(10.)] x gallons per inch of tank(2D)

[ 48.0 in - 24.1 in ] X 22.0 gal/in = 526.4 Gallons

Volume of Liquid in Pipe	
Pipe Diameter (inches)	Liquid Per Foot (Gallons)
1	0.045
1.25	0.078
1.5	0.110
2	0.170
3	0.380
4	0.661

**DEMAND DOSE FLOAT SETTINGS** Alarm and Pump are to be wired on separate circuits and inspected by the electrical inspector

12. Calculate Float Separation Distance using Dosing Volume.

Total Dosing Volume(9.) ÷ Gallons Per Inch(2D)

156 gal ÷ 22.0 gal/in = 7.1 inches

13. Measuring from bottom of tank:

A. Distance to set Pump Off Float = Pump + block height + 2 inches

12 in + 2 in = 14 inches

B. Distance to set Pump On Float = Distance to Set Pump-Off Float(13A) + Float Separation Distance(12.)

14 in + 7.1 in = 21 inches

C. Distance to set Alarm Float = Distance to set Pump-On Float(13B) + Alarm Depth (2-3 inches)(10.)

21 in + 3.0 in = 24 inches

Inches for Dose: 7.1 in

Alarm Depth 24.1 in

Pump On 21.1 in

Pump Off 14.0 in

526.4 Gal

66.0 Gal

156 Gal

308 Gal

# MONITORING AND MITIGATION

## SEPTIC SYSTEM CLASSIFIED AS TYPE III

Should the system fail a new site for the septic system may be considered or the owner agrees to repair the septic system if it is possible. If the septic system is not repairable the homeowner agrees to disconnect the septic tanks from the septic system and use and maintain the septic tanks as holding tanks.

MILLE LACS BAND OF OJIBWE and ENVIRONMENTAL SYSTEMS are to be notified as soon as possible about any operational problems. If a failure occurs the septic pump must be disconnected immediately and remain disconnected until all repairs are completed. A pumping contract will need to be set up with a septic maintenance contractor. A copy of all documents must be submitted to the county.

The system must be monitored for a minimum of three years. The mound system is to be inspected by the homeowner for leaks or saturated areas. Inspections are to be done every month for 36 months. Any leaks or failures in the system must be reported to the county within 24 hours.

All expenses for repair or replacement are the homeowner's responsibility.

Type III systems are not warranted by the Inspector, Designer, or Installer

I \_\_\_\_\_ property owner of 46145 GRACE LAKE RD SANDSTONE MN.

Hereby agree that as long as I am the owner of the property, to accept all legal and financial responsibility for future system repair and/or replacement expense in the event that failure of the system on the above referenced property occurs.

---

Owner

---

Date

# Owners Septic System Management Plan

**Date:** 7/5/2023

**Property Address:** 16145 Grace Lake Rd. Sandstone Mi

Septic Systems can be an expensive investment, good maintenance will ensure they last a lifetime. The purpose of a septic system is to properly "decompose" the pollutants before the water is recycled back into the groundwater. If you're not taking this seriously, ask yourself where your well water comes from.

Your septic design lists all the components of your system and their location. Keep the design, this management plan and the UofM "Septic System Owners Guide" in a safe place for future reference. For a copy of the Owners guide call the University of MN at 1-800-876-8636.

Some of the following tasks you can do yourself, some require a professional, but is it YOUR responsibility to see that it gets done.

## Homeowner Tasks

- Do your best to conserve water. Don't overload your septic with multiple large water uses at the same time or on the same day.
- Fix household leaks promptly (leaky toilet, dripping faucets).
- Limit bleach and anti-bacterial products. Use Biodegradable dishwasher detergent.
- Consider a lint filter on your clothes washer.
- Regularly check for wet or spongy soil around your drainfield.
- Have a septic professional check your tanks every 3 years to determine if they need pumping.
- If you have a septic tank filter (effluent filter) clean it on a regular basis (or have a professional do it).
- If a septic alarm goes off, call your septic professional to diagnose the problem.
- Notify the County/City/Township when this management plan is not being met.
- Be aware of and protect your secondary drainfield site.

## Professional Tasks

- Disclose the location of the secondary drainfield (if applicable).
- Respond to alarms and diagnose problems as needed.
- Review water use with the owner, check for a "soggy" drainfield.
- Pump the septic tanks as needed and ensure they are in proper working order.
- Verify the pump, dose amount, HI Level Alarm & drainback are all working properly.

*"As the owner, I understand it is my responsibility to properly operate and maintain this septic system".*

**Property Owner Signature:** \_\_\_\_\_ **Date** \_\_\_\_\_